

ATTACHER

AT2-SERIES

Parts Manual



SURE-FEED ENGINEERING

12050 49th STREET NORTH - CLEARWATER, FL. 33762-4301
PHONE: 727.571.3330 - FAX: 727.571.3443 - TOLL FREE: 1.800.INSERTER
web: sure-feed.com

VERSION HISTORY

The table below summarizes the history of this document as it is published onto the company website(s). It identifies the version, date of issue and revisions and changes.

VERSION	DATE	CHANGES
at2_partsbook051707	6/2007	Initial release
at2_partsbook051707a	6/20/07	Reformatted-no changes

PITNEY BOWES

Sure-Feed Engineering

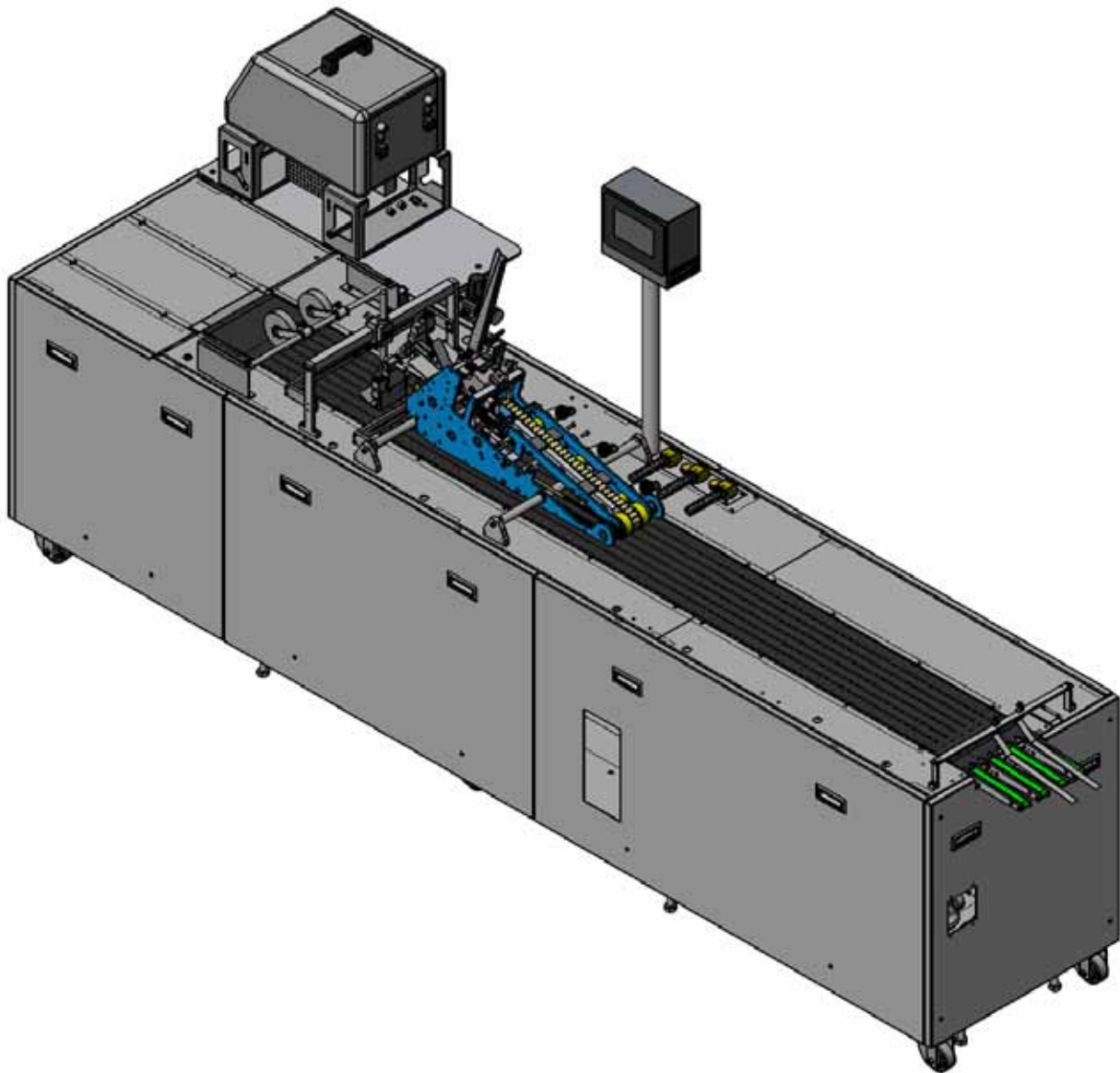
TABLE OF CONTENTS

ATTACHER SYSTEM

ATTACHER (FIG. 1)	3
FRAME ASSEMBLY (FIG. 2)	5
VACUUM CONVEYOR ASSEMBLY (FIG. 3-5)	7-12
IDLER ROLLER (FIG. 6)	13
DISCHARGE ACCELERATOR (FIG. 7)	15
TOP COVER ASSEMBLY (FIG. 8-9)	17-20
GLUE HEAD MTG (FIG. 10)	21
REAR CARD FEEDER SUPPORT (FIG. 10)	21
NIP ROLLER ASSEMBLY (FIG. 11)	23
HOLD DOWN ASSEMBLY (FIG. 11)	23
CARD FEEDER (FIG. 12-14)	25-31
OVERHEAD VACUUM ASSEMBLY (FIG. 15)	32
SIDE GUIDE (FIG. 16)	34
PAPER SLIDE (FIG. 16)	34
SINGLE SEPARATOR (FIG. 17)	36
TRAILING ARM (FIG. 18)	38
NIP SHAFT (FIG. 19)	40
DRIVE SHAFT (FIG. 20)	42
INTERMEDIATE DRIVE SHAFT (FIG. 20)	42
IDLER SUPPORT SHAFT (FIG. 21)	44
NIP IDLER (FIG. 21)	44
CONVEYOR VACCUM (FIG. 22)	46
CARD FEEDER VACUUM (FIG. 23)	48
LOWER COVER ASSEMBLY (FIG. 24)	50
TOUCH SCREEN (FIG. 25)	52
GLUE SYSTEM ASSEMBLY (FIG. 26)	54

PITNEY BOWES
Sure-Feed Engineering

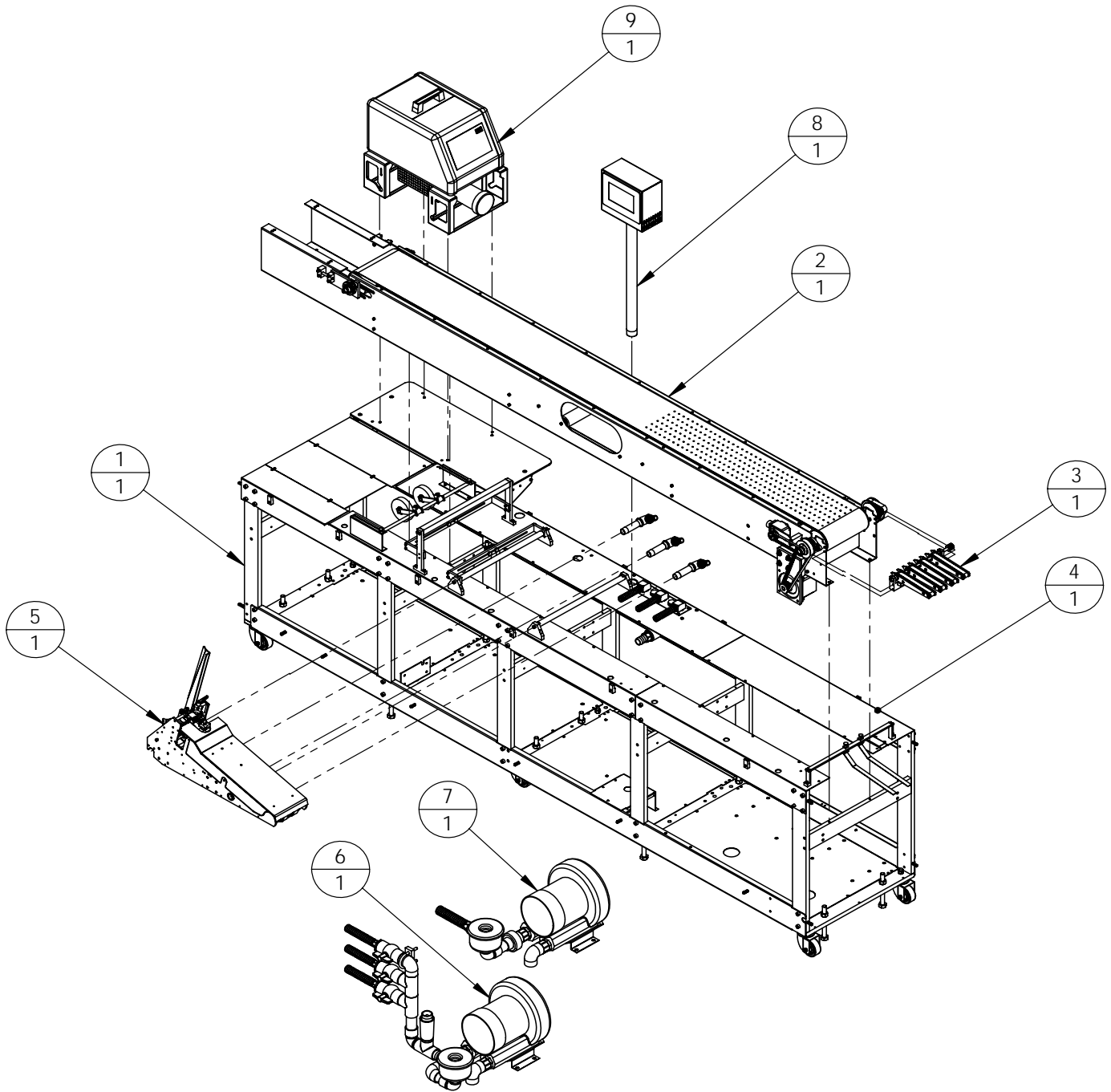
ATTACHER



ATTACHER ASSEMBLY (Fig. 1)

ITEM	PART NO.	QTY.	DESCRIPTION
1	SEE FIG. 2	1	ASSEMBLY, FRAME (14020-037)
2	SEE FIG. 3-5	1	ASSEMBLY, CONVEYOR (14020-042)
3	SEE FIG. 7	1	ASSEMBLY, DISCHARGE ACCELERATOR (14020-007)
4	SEE FIG. 8-9	1	ASSEMBLY, TOP COVERS (14020-036)
5	SEE FIG. 12-14	1	ASSEMBLY, CARD FEEDER (14020-008)
6	SEE FIG. 22	2	ASSEMBLY, VACUUM, CONVEYOR (14020-021)
7	SEE FIG. 23	1	ASSEMBLY, VACUUM, CARD FEEDER (14020-022)
8	SEE FIG. 25	1	ASSEMBLY, TOUCH SCREEN (14020-024)
9	SEE FIG. 26	1	ASSEMBLY, GLUE SYSTEM (14020-045)
10	SEE FIG. 24	1	ASSEMBLY, LOWER COVERS (NOT SHOWN) (14020-040)

PITNEY BOWES
Sure-Feed Engineering

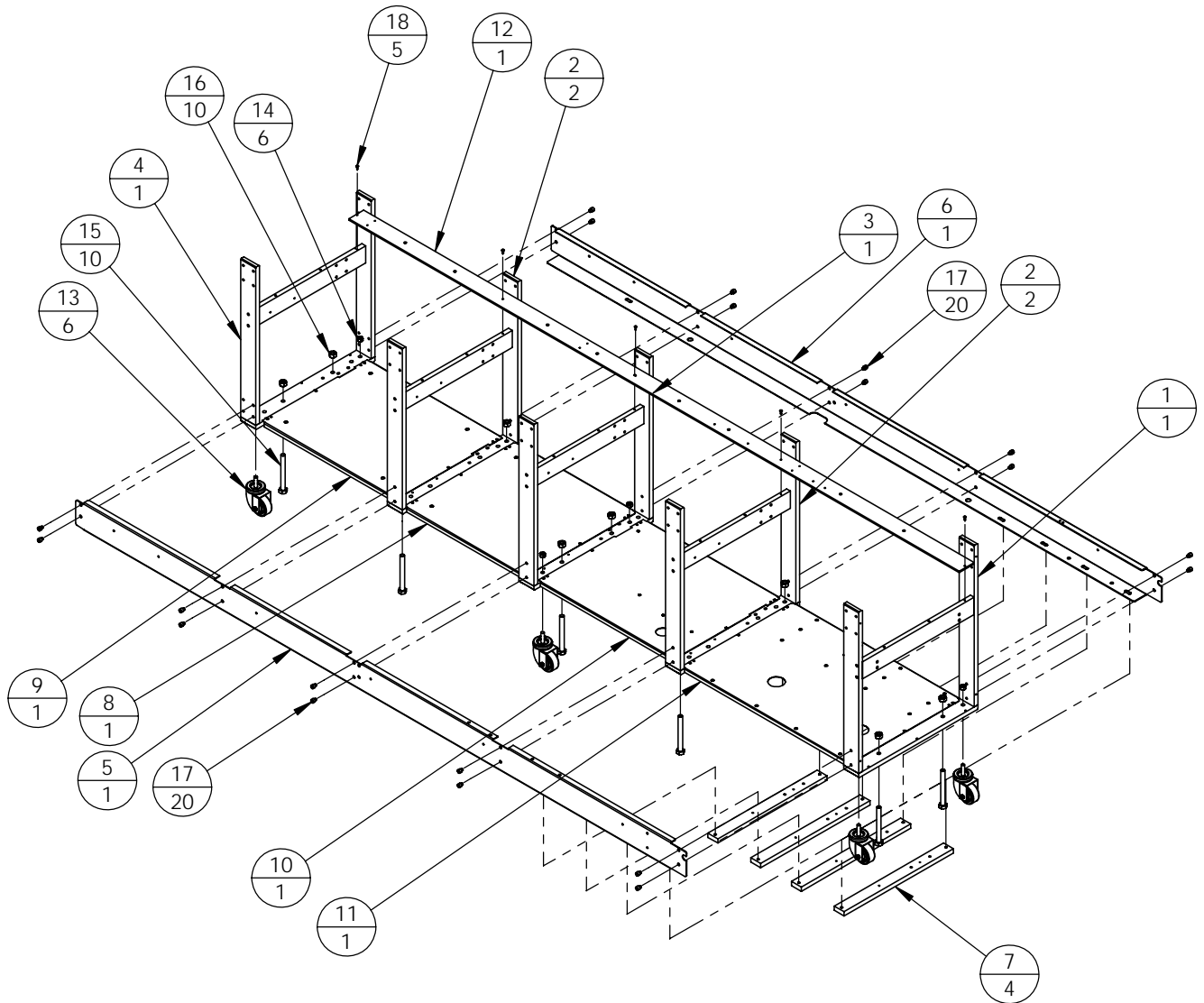


**ATTACHER (Fig. 2)
 FRAME ASSEMBLY (14020-037)**

ITEM	PART NO.	QTY.	DESCRIPTION
1	14020-026	1	ASSEMBLY, FRONT LEG
2	14020-038	2	ASSEMBLY, LEG, RH
3	14020-039	1	ASSEMBLY, LEG, LH
4	14020-043	1	ASSEMBLY, LEG, REAR
5	18001-015	1	COVER, LOWER, RH FRONT
6	18001-016	1	COVER, LOWER, LH FRONT
7	14011-009	4	BAR, BLOWER SUPPORT
8	14013-024	1	COVER, FLOOR, ENCLOSURE MTG.
9	14013-025	1	COVER, FLOOR, REAR ENCLOSURE MTG.
10	18013-166	1	COVER, FLOOR, P.E. MTG.
11	14013-007	1	COVER, FLOOR, BLOWER
12	18008-069	1	BAR, WIREWAY MTG.
13	99010-005	6	CASTER, 1/2-13 STEM
14	-	6	NUT, HEX, 1/2-13
15	-	10	BOLT, HEX HEAD, 5/8-11 X 6
16	-	10	NUT, HEX HEAD, 5/8-11
17	-	20	BOLT, SKT HEAD, 3/8-16 X 3/8
18	-	5	SCREW, BUTTON HEAD, #10-24 X 1/2

PITNEY BOWES

Sure-Feed Engineering

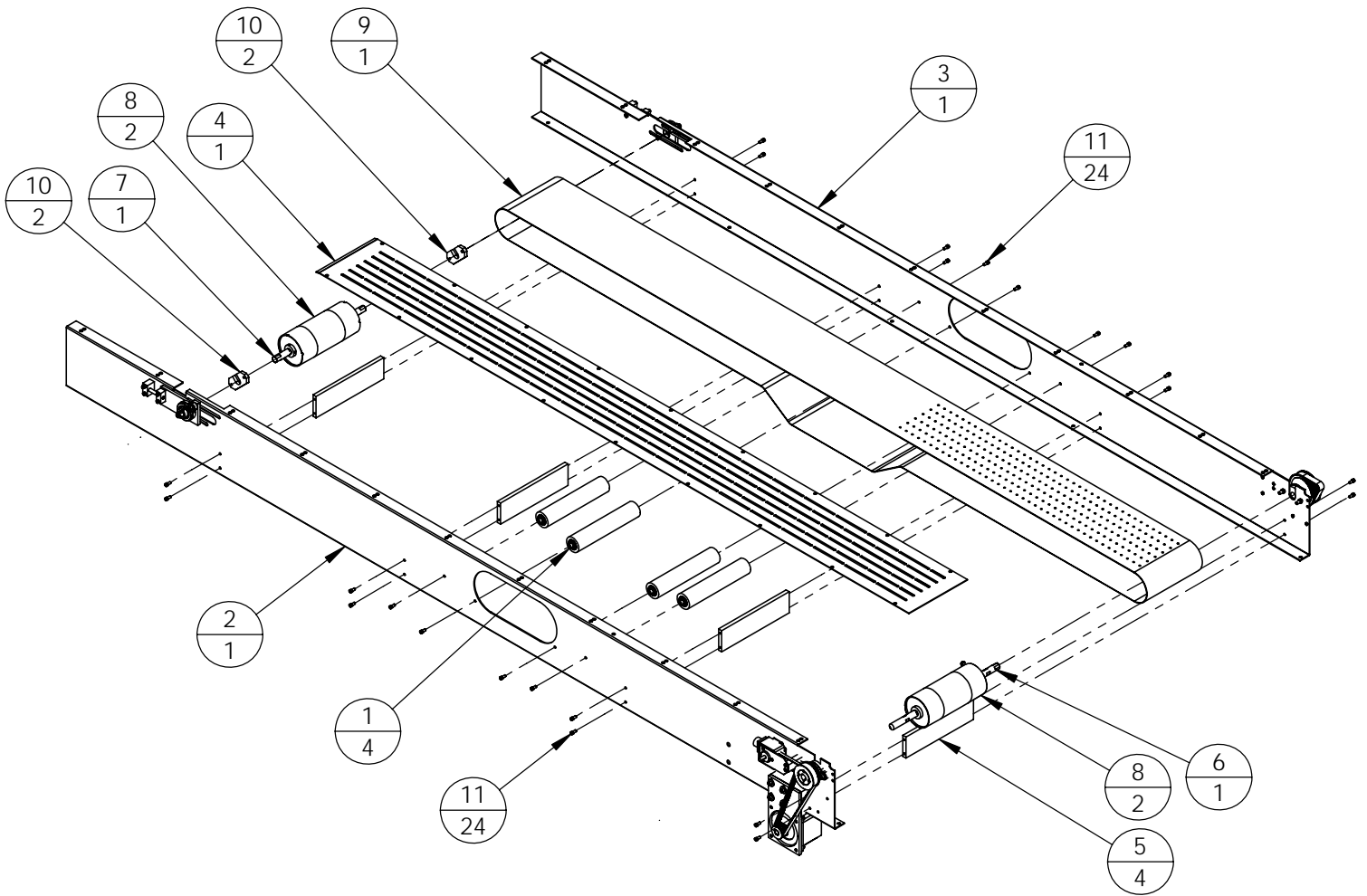


**ATTACHER (Fig. 3)
 VACUUM CONVEYOR ASSEMBLY (14020-042)**

ITEM	PART NO.	QTY.	DESCRIPTION
1	SEE FIG. 6	4	ASSEMBLY, IDLER ROLLER (14020-072)
2	14000-005	1	SIDEFAME, CONVEYOR-RH
3	14000-006	1	SIDEFAME, CONVEYOR-LH
4	14011-005	1	PLATE, MANIFOLD
5	14008-012	4	BAR, SIDEFAME SUPPORT
6	14004-034	1	SHAFT, DRIVE
7	14004-020	1	SHAFT, IDLER
8	14006-014	2	PULLEY, DRIVE
9	14014-003	1	BELT, MAIN VACUUM
10	14007-022	2	BLOCK, BEARING MTG.
11	-	24	BOLT, SKT HEAD, 1/4-20 X 1/2

PITNEY BOWES

Sure-Feed Engineering

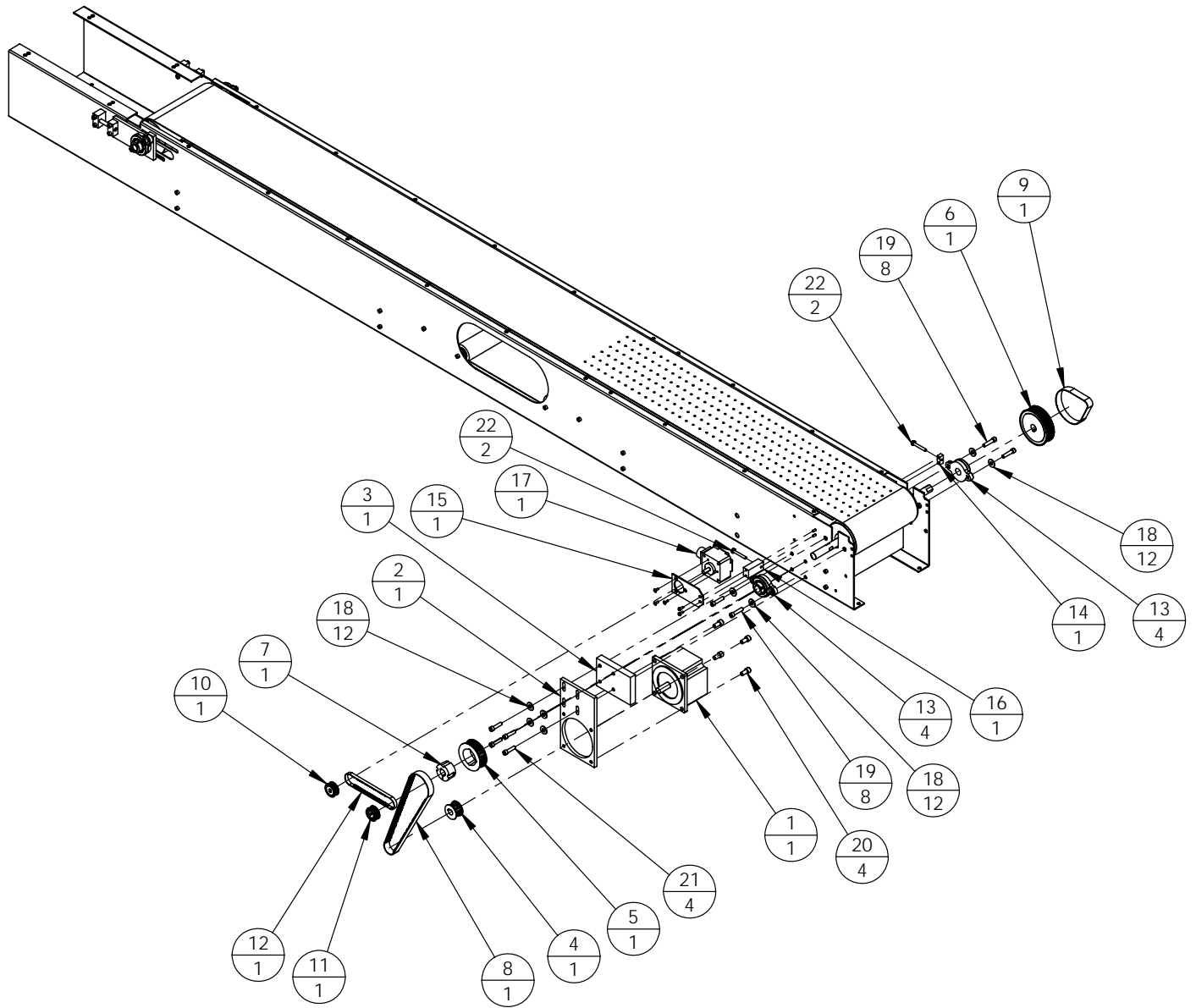


**ATTACHER (Fig. 4)
 VACUUM CONVEYOR ASSEMBLY (14020-042)**

ITEM	PART NO.	QTY.	DESCRIPTION
1	99001-031	1	MOTOR, SERVO, 800W, 200V
2	14011-017	1	PLATE, SERVO MTG.
3	14012-004	1	SPACER, MOTOR MTG.
4	18006-073	1	PULLEY, TIMING, 12L075, 16MM BORE
5	99002-043	1	PULLEY, TIMING, 24L075, 1210 TAPERLOCK
6	14006-012	1	PULLEY, TIMING, 60XL075, 3/4 BORE
7	99017-016	1	BUSHING, TAPERLOCK, 1210, 3/4 BORE
8	99000-187	1	BELT, TIMING, 285L075, STEEL RE-INFORCED
9	99000-137	1	BELT, TIMING, 136XL075
10	99002-027	1	PULLEY, TIMING, 20XL037, 3/8 BORE
11	99002-109	1	PULLEY, TIMING, 20XL037, 3/4 BORE
12	99000-027	1	BELT, TIMING, 160XL037
13	99003-019	2	BEARING, 2-BOLT FLANGE
14	12007-002	1	BLOCK, TAKE-UP
15	14011-028	1	PLATE, ENCODER MTG.
16	14012-009	1	STANDOFF, ENCODER MTG.
17	98017-014	1	ENCODER, 500 PPR, 3-CH LINE DRIVER
18	-	12	FLAT WASHER, 5/16
19	-	8	BOLT, SKT HEAD, 5/16-18 X 3/4
20	-	4	BOLT, SKT HEAD, 3/8-16 X 3/4
21	-	4	BOLT, SKT HEAD, 5/16-18 X 1-1/4
22	-	2	BOLT, HEX HEAD, 1/4-20 X 1-3/4

PITNEY BOWES

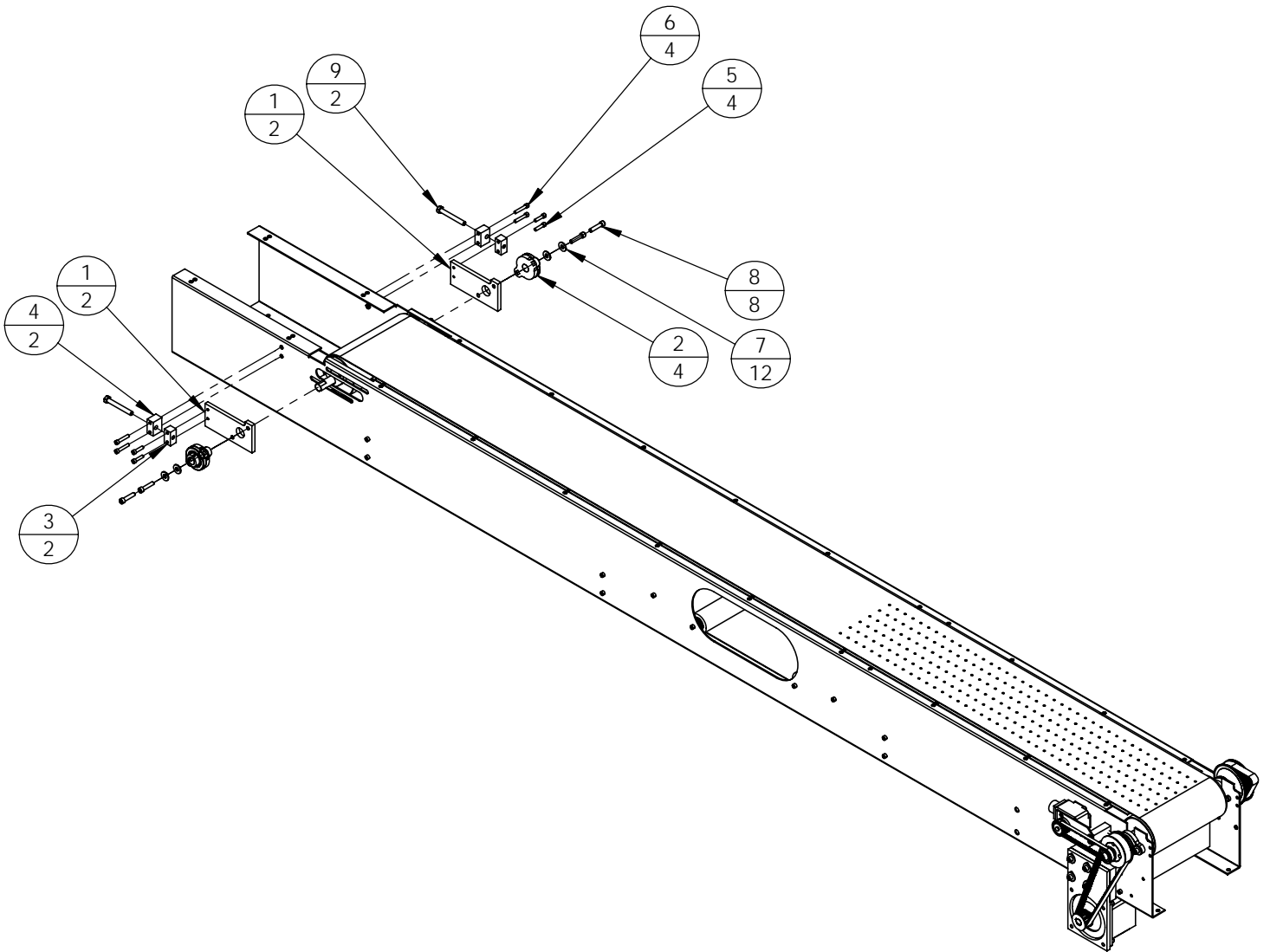
Sure-Feed Engineering



**ATTACHER (Fig. 5)
VACUUM CONVEYOR ASSEMBLY (14020-042)**

ITEM	PART NO.	QTY.	DESCRIPTION
1	14011-010	2	PLATE, 2-BOLT FLG BEARING MTG.
2	99003-019	2	BEARING, 2-BOLT FLANGE
3	14007-019	2	BLOCK, PULLEY, TAKE UP
4	14007-020	2	BLOCK, PULLEY ADJ (FIXED)
5	-	4	BOLT, SKT HEAD, 1/4-20 X 1
6	-	4	BOLT, SKT HEAD, 1/4-20 X 1-3/8
7	-	12	FLAT WASHER, 5/16
8	-	8	BOLT, SKT HEAD, 5/16-18 X 1-3/8
9	-	2	BOLT, HEX HEAD, 3/8-16 X 3

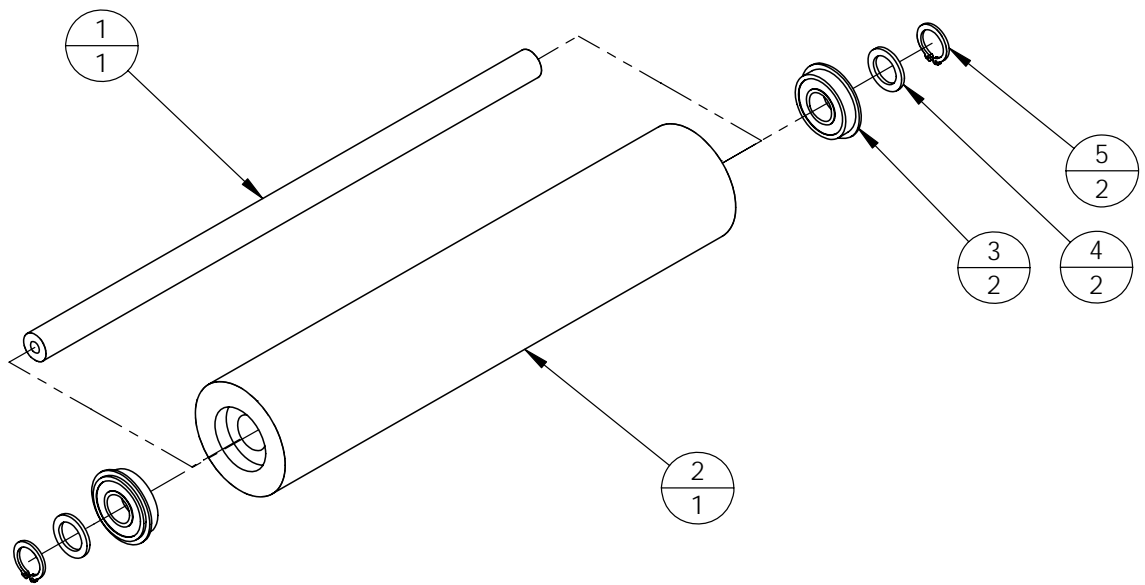
PITNEY BOWES
Sure-Feed Engineering



**VACUUM CONVEYOR (Fig. 6)
IDLER ROLLER ASSEMBLY (14020-072)**

ITEM	PART NO.	QTY.	DESCRIPTION
1	14004-024	1	SHAFT, IDLER
2	14006-009	1	ROLLER, 2" IDLER
3	99003-007	2	BEARING, 1/2 X 1-1/8 SEALED W/ S.R.
4	99003-018	2	WASHER, NYLON, 1/2 X 1/16
5	99022-004	2	SNAP RING, 1/2

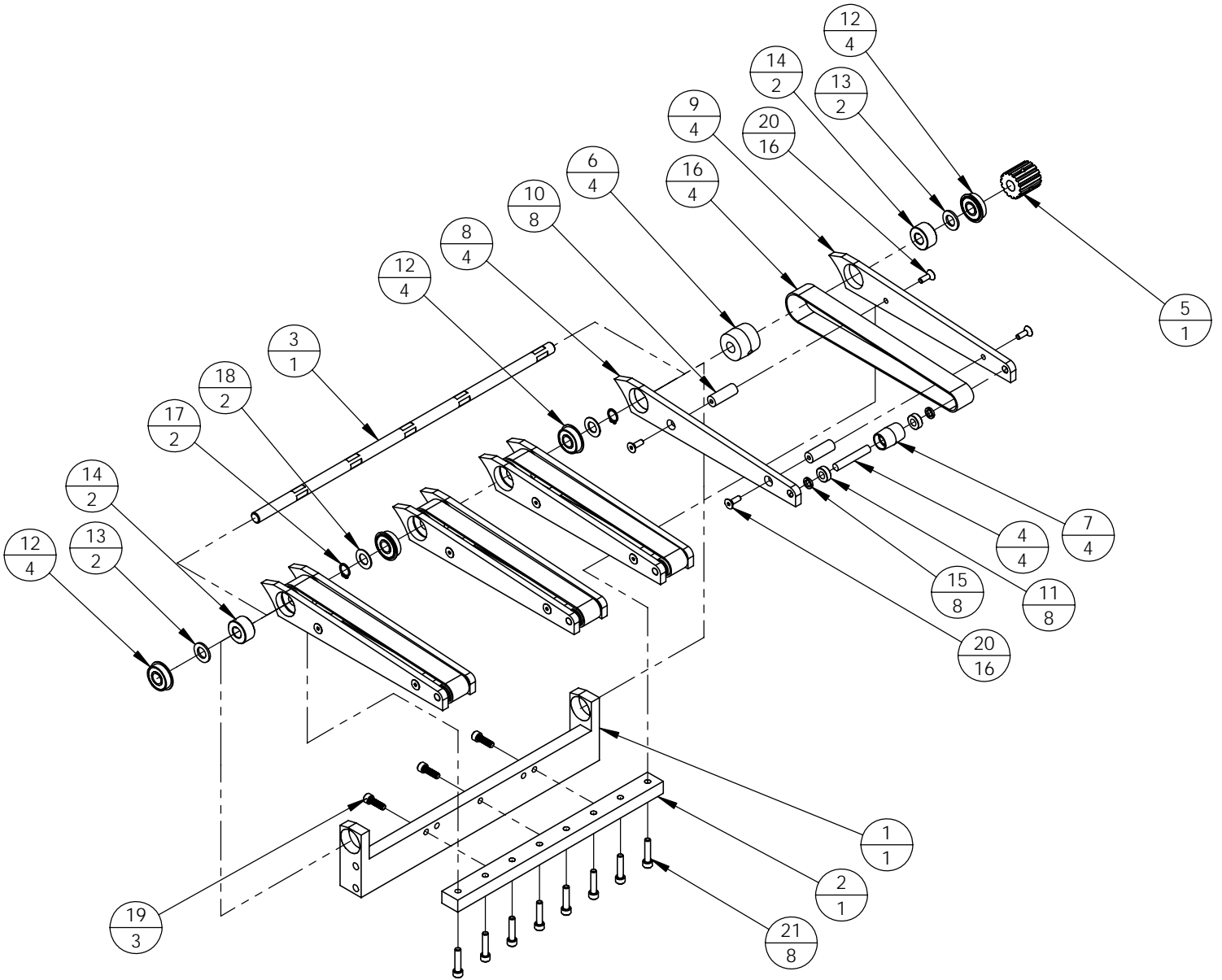
PITNEY BOWES
Sure-Feed Engineering



**ATTACHER (Fig. 7)
DISCHARGE ACCELERATOR ASSEMBLY (14020-007)**

ITEM	PART NO.	QTY.	DESCRIPTION
1	14007-018	1	BLOCK, BEARING,
2	14007-021	1	BLOCK, ACCELERATOR MTG.
3	14004-021	1	SHAFT, ACCELERATOR DRIVE
4	14004-023	4	SHAFT, IDLER
5	14006-011	1	PULLEY, TIMING, 15XL075, 3/8 BORE
6	14006-013	4	PULLEY, CROWNED DRIVE
7	14006-017	4	PULLEY, CROWNED IDLER
8	14011-011	4	PLATE, RH SIDE FRAME, ACCELERATOR
9	14011-012	4	PLATE, LH SIDEFAME, ACCELERATOR
10	10012-003	8	SPACER, TONGUE
11	99003-091	8	BEARING, 1/4 X 1/2
12	99003-020	4	BEARING, 3/8 X 7/8, SEALED W/ S.R.
13	99003-017	2	WASHER, NYLON, 3/8 X 1/16
14	99017-003	2	COLLAR, 3/8 SHAFT
15	99036-002	8	WASHER, HARDENED, 1/4 X 3/8 X 1/16
16	99000-168	4	BELT, DISCHARGE
17	99022-003	2	SNAP RING, 3/8
18	99003-016	2	WASHER, NYLON, 1/2 X 1/32
19	-	3	SCREW, SKT HEAD, #10-24 X 5/8
20	-	16	SCREW, FLAT HEAD, #8-32 X 1/2
21	-	8	SCREW, SKT HEAD, #10-24 X 7/8

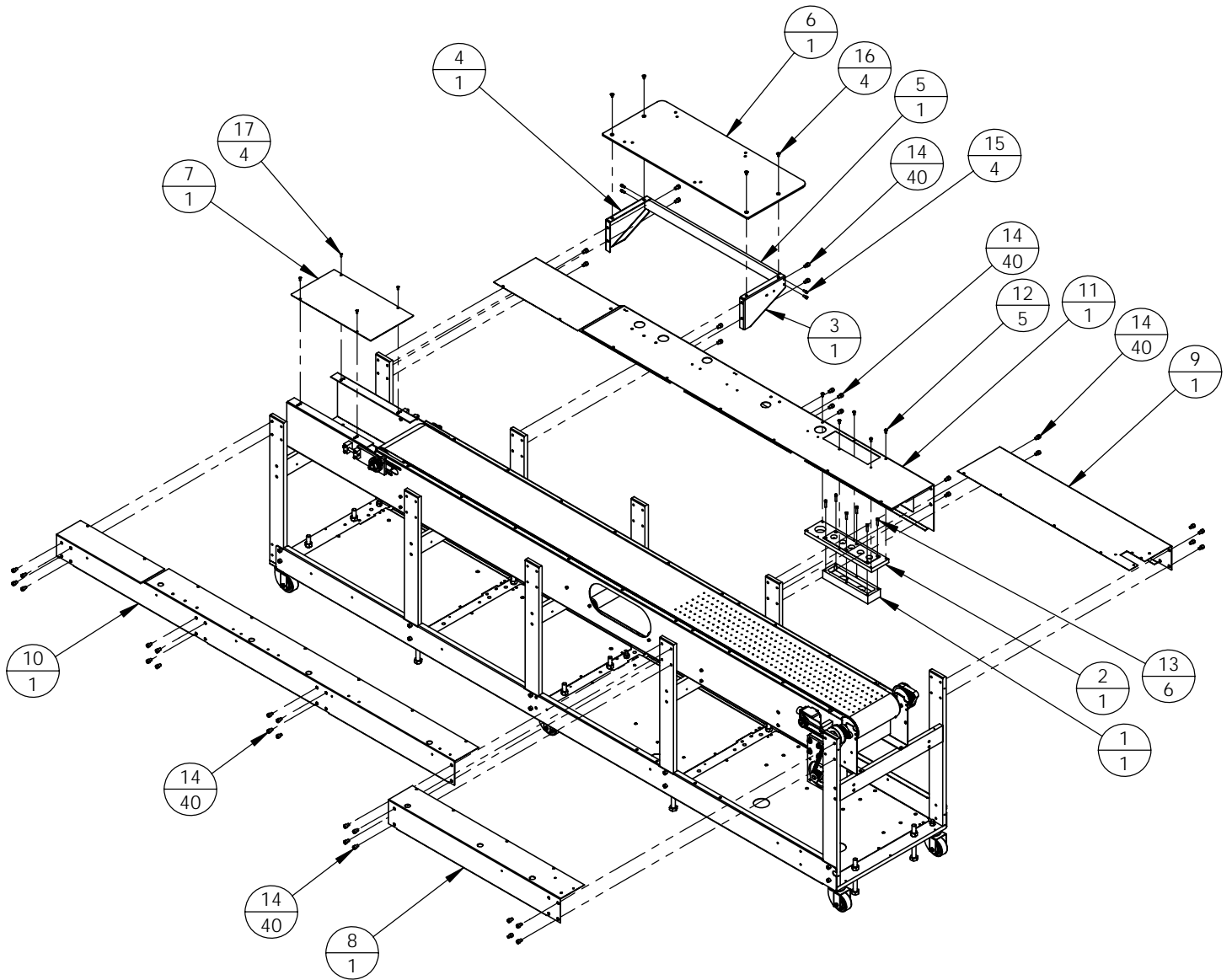
PITNEY BOWES
Sure-Feed Engineering



**ATTACHER (Fig. 8)
TOP COVER ASSEMBLY (14020-036)**

ITEM	PART NO.	QTY.	DESCRIPTION
1	14007-033	1	BLOCK, MANIFOLD
2	14011-022	1	PLATE, VACUUM MTG.
3	14009-018	1	BRACKET, TANK SUPPORT, RH
4	14009-017	1	BRACKET, TANK SUPPORT, LH
5	14008-027	1	BAR, GLUE MTG SUPPORT
6	14011-023	1	PLATE, GLUE TANK MTG.
7	14001-012	1	COVER, TOP, CENTER REAR
8	14001-007	1	COVER, TOP, RH FRONT
9	14001-008	1	COVER, TOP, LH FRONT
10	14001-015	1	COVER, TOP, RH REAR
11	14001-016	1	COVER, TOP, LH REAR
12	-	5	BOLT, BUTTON HEAD, 1/4-20 X 1/2
13	-	6	BOLT, SKT HEAD, 1/4-20 X 1
14	-	40	BOLT, SKT HEAD, 3/8-16 X 1/2
15	-	4	BOLT, SKT HEAD, 1/4-20 X 1/2
16	-	4	BOLT, FLAT HEAD, 1/4-20 X 1/2
17	-	4	SCREW, FLAT HEAD, #10-24 X 1/2

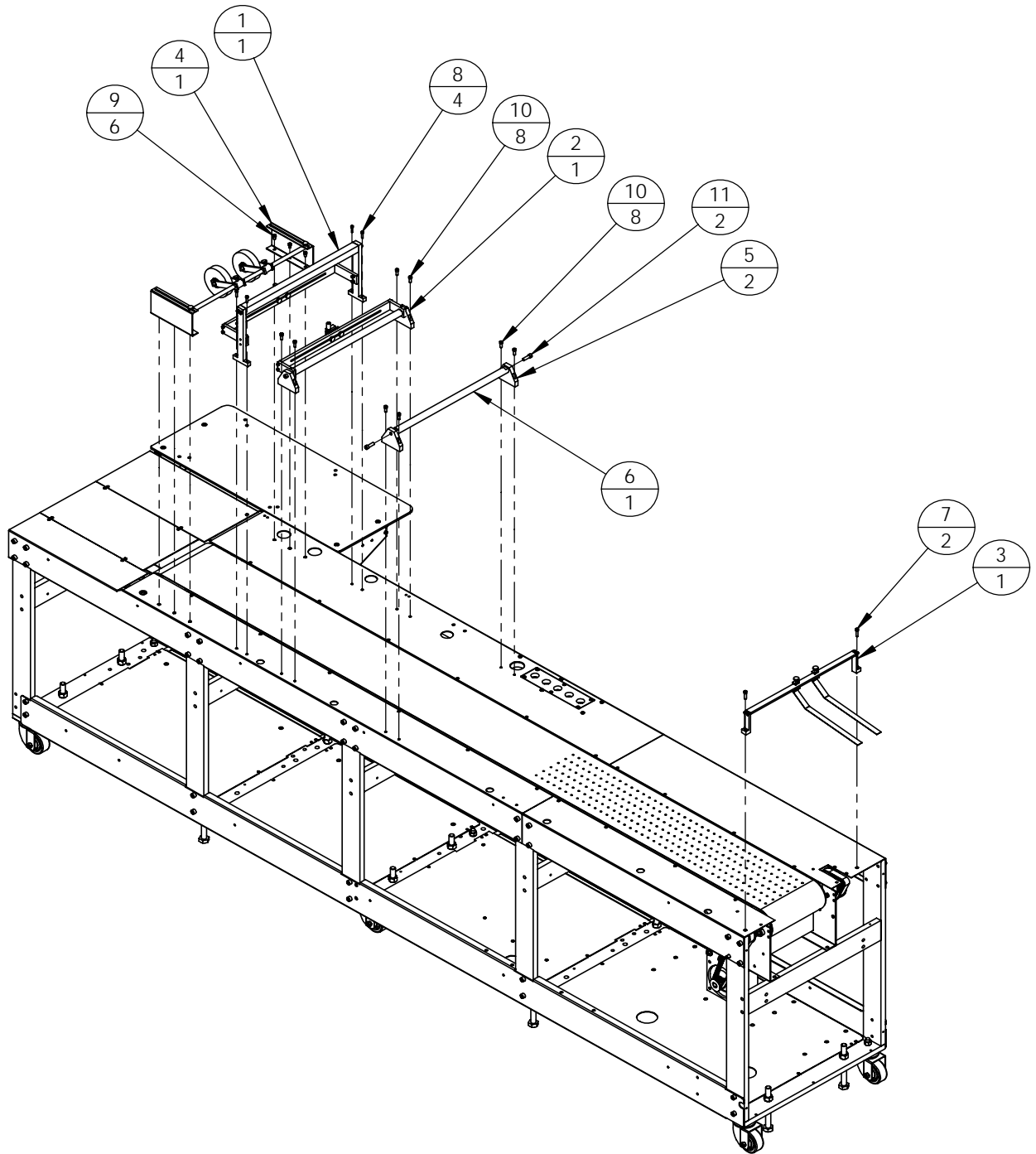
PITNEY BOWES
Sure-Feed Engineering



**ATTACHER (Fig. 9)
TOP COVER ASSEMBLY (14020-036)**

ITEM	PART NO.	QTY.	DESCRIPTION
1	SEE FIG. 10	1	ASSEMBLY, GLUE HEAD MTG. (14020-023)
2	SEE FIG. 10	1	ASSEMBLY, REAR CARD FEEDER SUPPORT (14020-070)
3	SEE FIG. 11	1	ASSEMBLY, HOLD DOWN (14020-071)
4	SEE FIG. 11	1	ASSEMBLY, NIP (14020-073)
5	14007-023	2	BLOCK, FEEDER SUPPORT
6	14004-033	1	SHAFT, STIFFENER
7	-	2	BOLT, SKT HEAD, 1/4-20 X 7/8
8	-	4	SCREW, SKT HEAD, #10-24 X 3/4
9	-	6	BOLT, SKT HEAD, 1/4-20 X 3/8
10	-	8	BOLT, SKT HEAD, 1/4-20 X 5/8
11	-	2	BOLT, SKT HEAD, 5/16-18 X 1

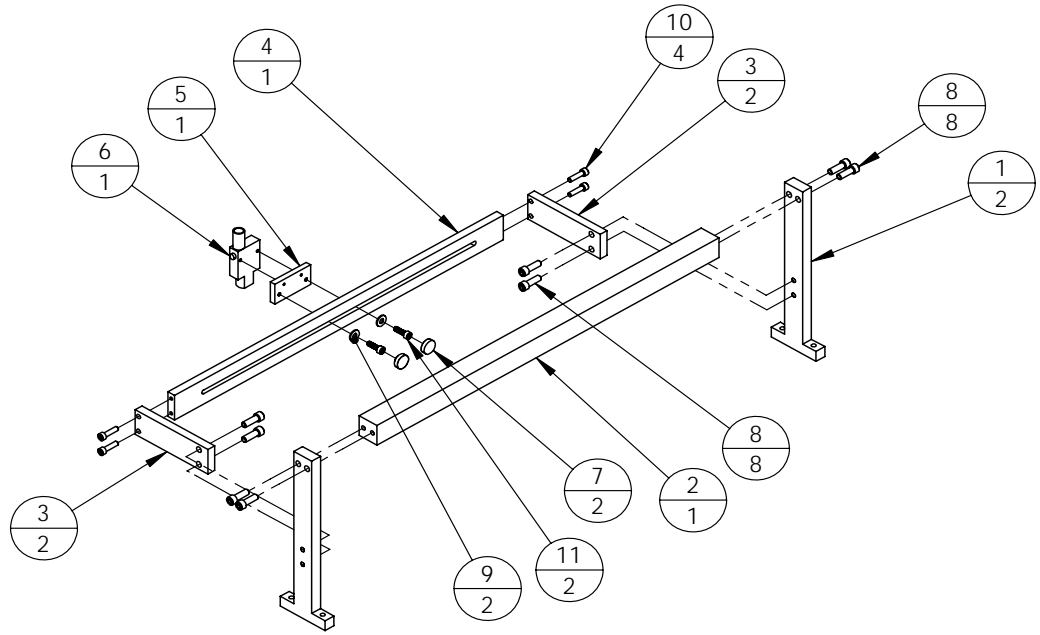
PITNEY BOWES
Sure-Feed Engineering



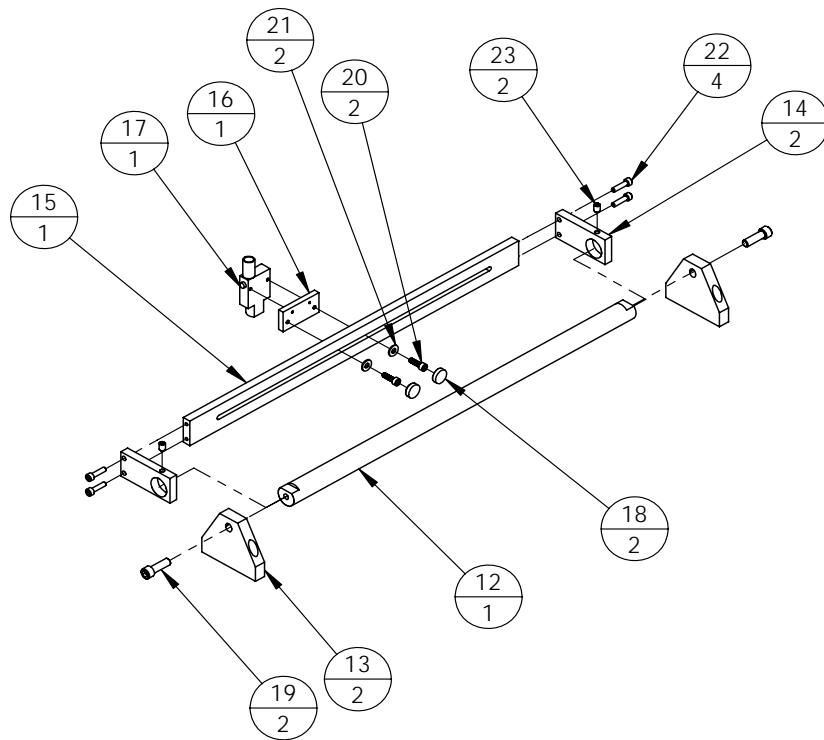
**ATTACHER - TOP COVERS (Fig. 10)
 GLUE HEAD MTG / REAR CARD FEEDER SUPPORT ASSEMBLY**

ITEM	PART NO.	QTY.	DESCRIPTION
	14020-023	1	ASSEMBLY, GLUE HEAD MTG.
1	14009-013	2	BRACKET, GLUE HEAD SUPPORT
2	14008-024	1	BAR, GLUE HEAD, MTG.
3	14009-014	2	BRACKET, SENSOR SUPPORT
4	14008-026	1	BAR, SENSOR MTG.
5	16011-016	1	PLATE, SENSOR MTG.
6	98009-036	1	SENSOR, BANNER
7	99004-002	2	KNOB, #10 SCREW
8	-	8	BOLT, SKT HEAD, 1/4-20 X 3/4
9	-	2	FLAT WASHER, #10
10	-	4	SCREW, SKT HEAD, #10-24 X 3/4
11	-	2	SCREW, SKT HEAD, #10-24 X 5/8
	14020-070	1	ASSEMBLY, REAR CARD FEEDER SUPPORT
12	14004-033	1	SHAFT, STIFFENER
13	14007-023	2	BLOCK, FEEDER SUPPORT
14	14009-015	2	BRACKET, REAR SENSOR SUPPORT
15	14008-026	1	BAR, SENSOR MTG.
16	16011-016	1	PLATE, SENSOR MTG.
17	98009-036	1	SENSOR, BANNER
18	99004-002	2	KNOB, #10-SCREW
19	-	2	BOLT, SKT HEAD, 5/16-18 X 1
20	-	2	SCREW, SKT HEAD, #10-24 X 5/8
21	-	2	FLAT WASHER, #10
22	-	4	SCREW, SKT HEAD, #10-24 X 3/4
23	-	2	SET SCREW, 1/4-20 X 3/8

PITNEY BOWES
Sure-Feed Engineering



ASSY# 14020-023

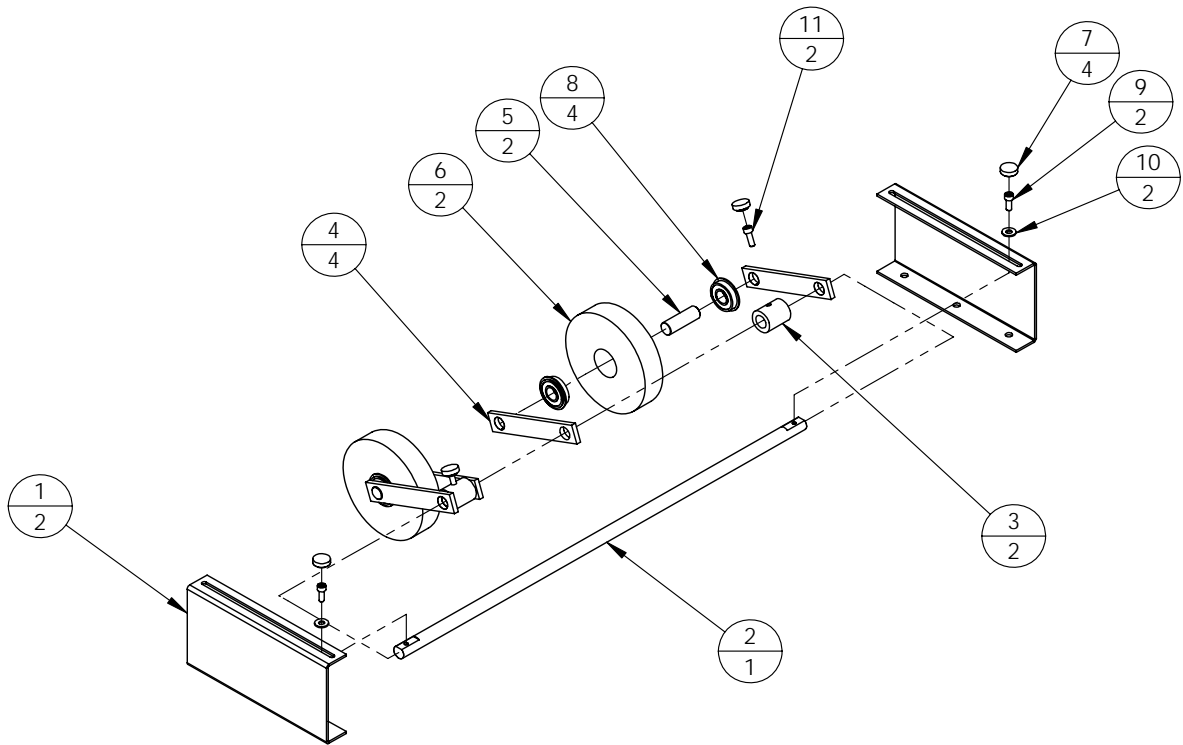


ASSY# 14020-070

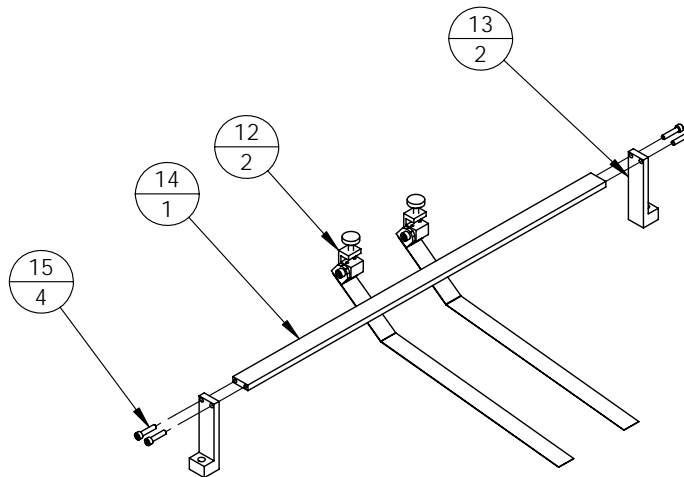
**ATTACHER - TOP COVERS (Fig. 11)
 NIP / HOLD DOWN ASSEMBLIES**

ITEM	PART NO.	QTY.	DESCRIPTION
	14020-073	1	ASSEMBLY, NIP
1	14009-004	2	BRACKET, NIP ROLLER ADJ
2	14004-032	1	SHAFT, NIP ADJ.
3	12007-011	2	BLOCK, LOCATING
4	12011-010	4	PLATE, NIP ROLLER
5	12004-009	2	SHAFT, NIP ROLLER
6	12006-005	2	ROLLER, NIP
7	99004-002	4	KNOB, #10 SCREW
8	99003-007	4	BEARING, 1/2 X 1-1/8 SEALED W/ S.R.
9	-	2	SCREW, SKT HEAD, #10-24 X 1/2
10	-	2	SCREW, SKT HEAD, #10-24 X 5/8
11	-	2	FLAT WASHER, #10
	14020-071	1	ASSEMBLY, HOLD DOWN
12	16020-230	2	ASSEMBLY, DRAG STRAP
13	16009-008	2	BRACKET, BAR SUPPORT
14	16008-007	1	BAR, SENSOR MTG.
15	-	4	SCREW, SKT HEAD, #8-32 X 3/4

PITNEY BOWES
Sure-Feed Engineering



ASSY# 14020-073



ASSY# 14020-071

**ATTACHER - CARD FEEDER ASSEMBLY (Fig. 12)
(14020-008)**

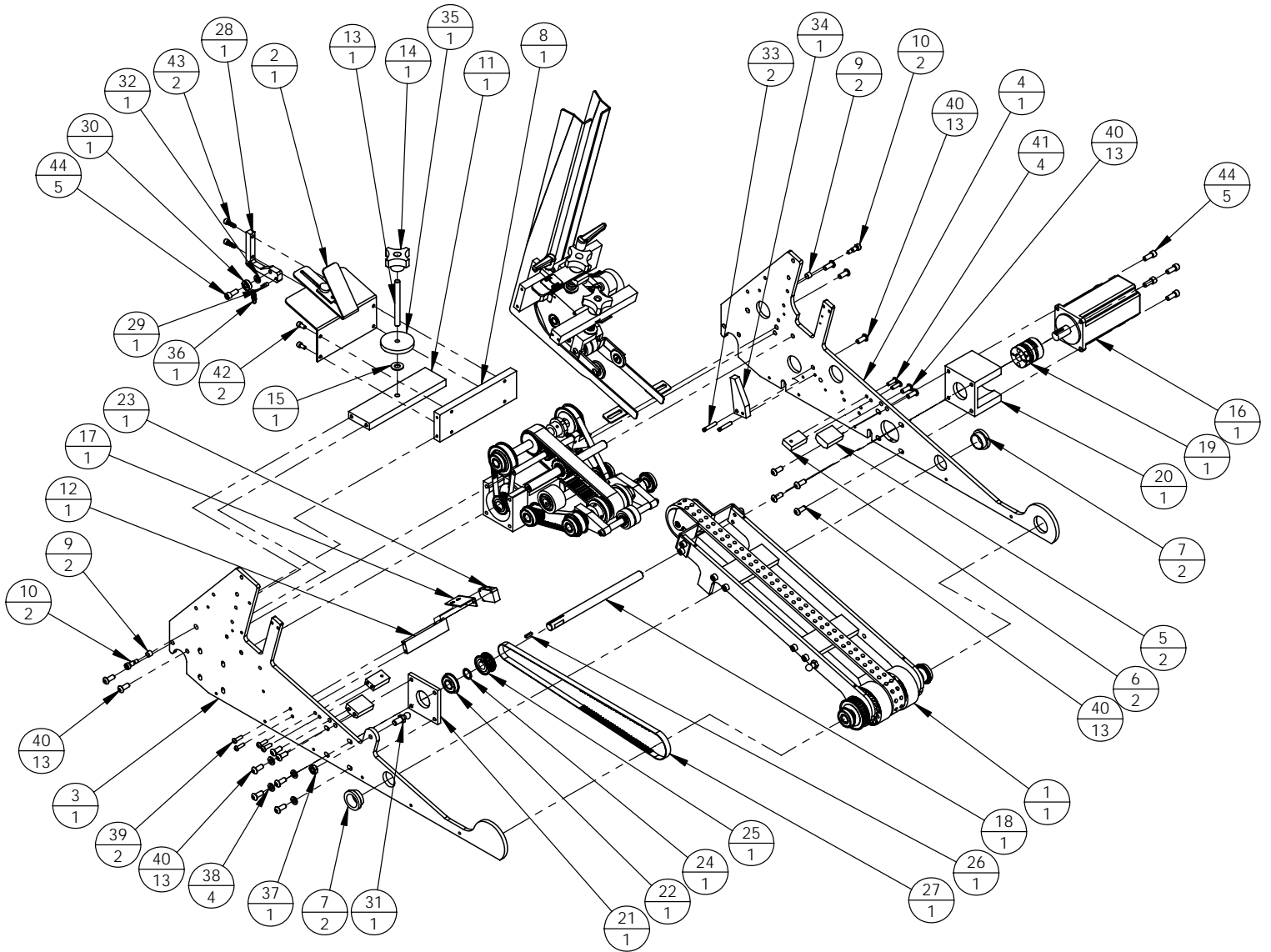
ITEM	PART NO.	QTY.	DESCRIPTION
1	SEE FIG. 15	1	ASSEMBLY, OVERHEAD VACUUM (14020-018)
2	SEE FIG. 16	1	ASSEMBLY, PAPER SLIDE (14020-017)
3	10000-060	1	SIDEFAME, RH
4	10000-061	1	SIDEFAME, LH
5	10007-094	2	BLOCK, INNER SIDEFAME SUPPORT
6	10007-095	2	BLOCK, SIDE GUIDE MTG.
7	99003-099	2	BUSHING, FL, 7/8 X 1 X 1/2
8	10008-081	1	BAR, BACK SUPPORT
9	99003-072	2	BUSHING, ST SLEEVE, 1/4 X 5/16 X 1/4
10	99033-004	2	SHOULDER BOLT, 1/4 X 3/8
11	10008-082	1	BAR, FEEDER ADJ.
12	10008-083	1	BAR, SENSOR MTG.
13	10004-055	1	STUD, TONGUE ADJ.
14	99004-001	1	KNOB, 5/16-24 FEMALE
15	99003-015	1	WASHER, NYLON, 5/16 X 1/16
16	99001-026	1	MOTOR, SERVO, 400W
17	14009-006	1	BRACKET, SENSOR MTG.
18	10004-194	1	SHAFT, SERVO DRIVE
19	99017-044	1	COUPLING, SERVO, 1/2 B X 14MM BORE
20	10007-104	1	BLOCK, SERVO MOTOR MTG.
21	10007-103	1	BLOCK, BEARING
22	99003-007	1	BEARING, 1/2 X 1-1/8 SELAED W/ S.R.
23	98009-038	1	SENSOR
24	99003-032	1	WASHER, NYLON, 1/2 X 1/32
25	99002-032	1	PULLEY, TIMING, 16XL037, 1/2 BORE, STEEL
26	99034-003	1	KEY, SQUARE, 1/8 X 3/4
27	99000-173	1	BELT, TIMNG, 300XL037, STEEL RE-INFORCED

**ATTACHER - CARD FEEDER ASSEMBLY (Fig. 12)
(14020-008)**

ITEM	PART NO.	QTY.	DESCRIPTION
28	14008-028	1	BAR, CAM ROLLER SUPPORT
29	99006-016	1	PIN, SPRING, #10-32 X 3/8
30	99003-002	1	BEARING, 1/4 X 5/8 SEALED
31	99014-009	1	BALL STUD, 10MM BALL
32	99003-013	1	WASHER, NYLON, 1/4 X 1/16
33	99006-040	2	PIN, SPRING CLIP, #10-32 X 1-1/16
34	14008-017	1	BAR, SPRING TENSIONING
35	10006-028	1	DISK, TONGUE ADJ.
36	99005-012	1	SPRING, GRIPPER JAW
37	-	1	HEX, JAM NUT, 5/16-18
38	-	2	WASHER, FLAT, 1/4
39	-	13	SCREW, BUTTON HEAD, #8-32 X 5/8
40	-	4	SCREW, BUTTON HEAD, 1/4-20 X 5/8
41	-	4	SCREW, BUTTON HEAD, #10-24 X 5/8
42	-	2	SCREW, SKT HEAD, #10-24 X 3/8
43	-	2	SCREW, SKT HEAD, #10-24 X 5/8
44	-	5	SCREW, SKT HEAD, 1/4-20 X 5/8

PITNEY BOWES

Sure-Feed Engineering

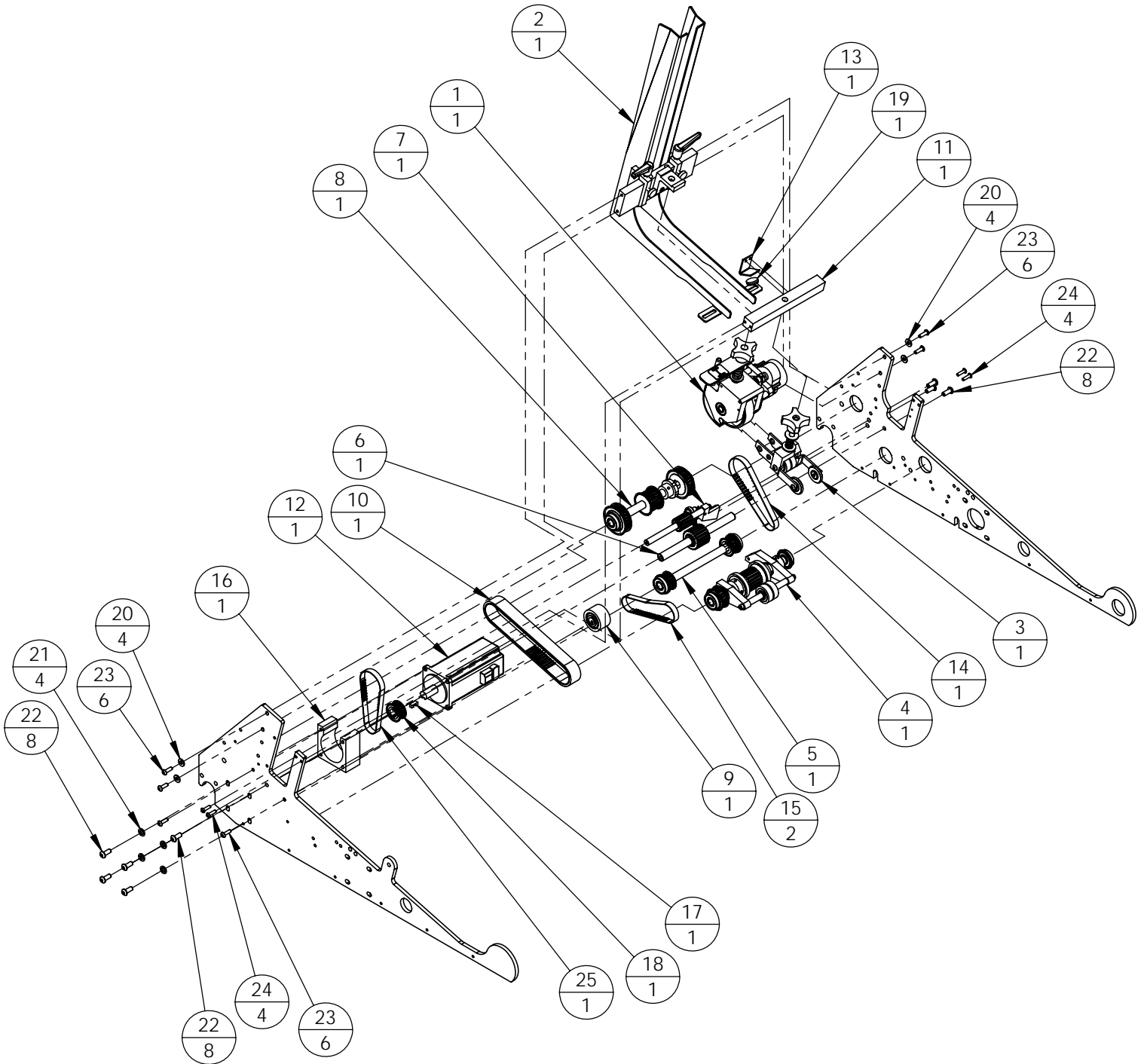


**ATTACHER - CARD FEEDER ASSY CONTINUED (Fig.13)
(14020-008)**

ITEM	PART NO.	QTY.	DESCRIPTION
1	SEE FIG. 17	1	ASSEMBLY, 3" SINGLE SEPARATOR (10020-266)
2	SEE FIG. 16	1	ASSEMBLY, SIDE GUIDE (14020-009)
3	SEE FIG. 18	1	ASSEMBLY, TRAILING ARM (14020-011)
4	SEE FIG. 19	1	ASSEMBLY, NIP SHAFT (14020-012)
5	SEE FIG. 20	1	ASSEMBLY, INTERMEDIATE DRIVE (14020-013)
6	SEE FIG. 21	1	ASSEMBLY, NIP IDLER (14020-014)
7	SEE FIG. 21	1	ASSEMBLY, IDLER SUPPORT (14020-015)
8	SEE FIG. 20	1	ASSEMBLY, DRIVE SHAFT (14020-016)
9	16020-092	1	ASSEMBLY, TENSIONER
10	14014-004	1	BELT, TIMING, RED GUM
11	10008-079	1	BAR, TONGUE ADJ
12	99001-026	1	MOTOR, SERVO, 400W
13	14009-007	1	BRACKET, REFLECTOR MTG.
14	99000-172	1	BELT, TIMING, 120XL037, STEEL RE-INFORCED
15	99000-171	2	BELT, TIMING, 110XL037, STEEL RE-INFORCED
16	10007-093	1	BLOCK, MOTOR STANDOFF
17	18019-035	1	KEY, MODIFIED
18	18006-057	1	PULLEY, TIMING, 16XL037, 14MM BORE
19	98009-045	1	SENSOR REFLECTOR
20	-	4	FLAT WASHER, #10
21	-	4	FLAT WASHER, 1/4
22	-	8	SCREW, BUTTON HEAD, 1/4-20 X 5/8
23	-	6	SCREW, BUTTON HEAD, #10-24 X 5/8
24	-	4	SCREW, BUTTON HEAD, #8-32 X 5/8

PITNEY BOWES

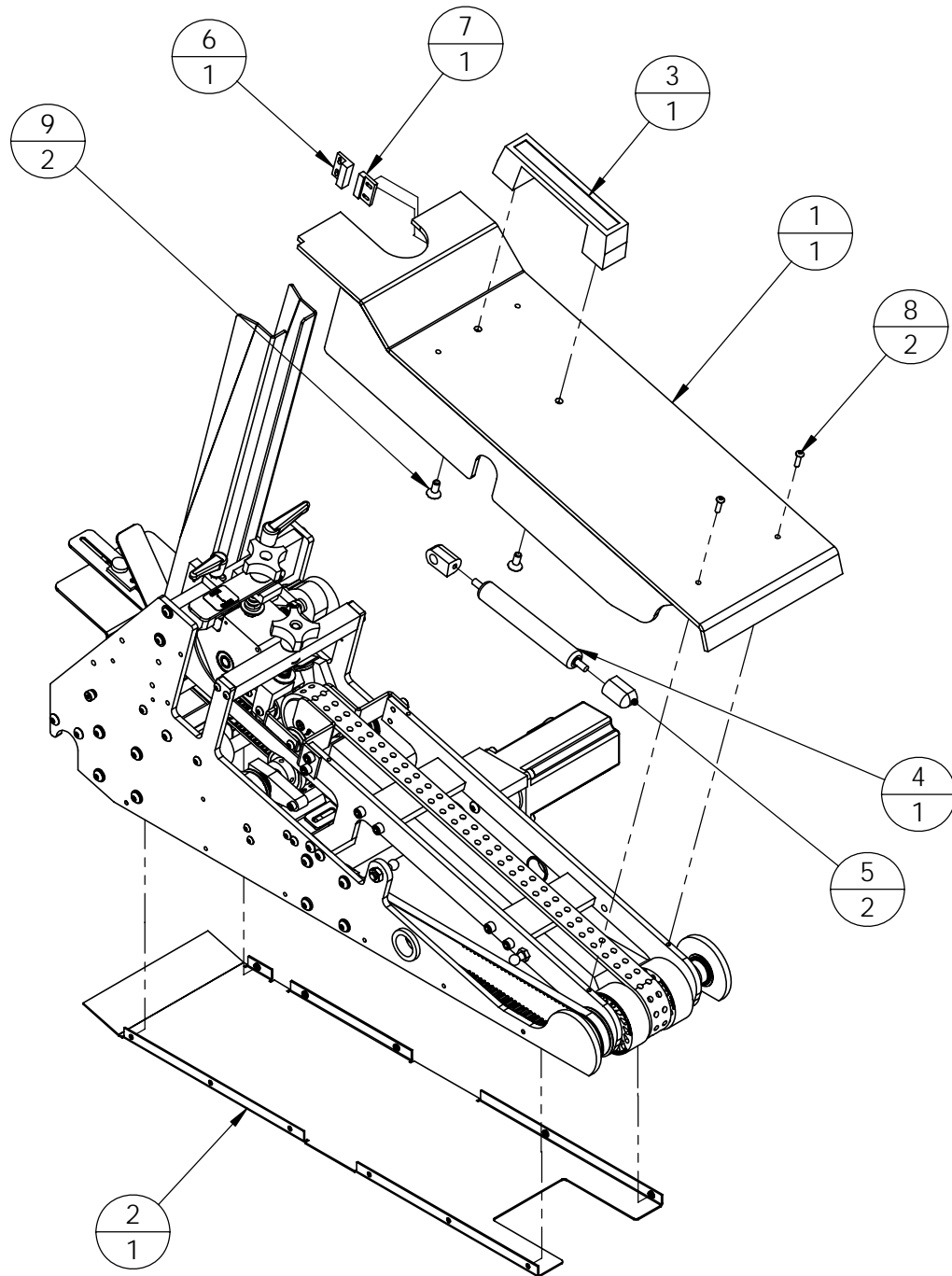
Sure-Feed Engineering



**ATTACHER - CARD FEEDER ASSY CONTINUED (Fig.14)
(14020-008)**

ITEM	PART NO.	QTY.	DESCRIPTION
1	10013-026	1	COVER, TOP LEXAN
2	14013-011	1	COVER, BOTTOM
3	99012-001	1	HANDLE, DOOR
4	99014-007	1	GAS SPRING, 20LB
5	99014-005	2	BALL SOCKET END FITTING, 10MM B
6	98000-036	1	REED SWITCH
7	98020-024	1	MAGNET, REED SWITCH
8	-	2	SCREW, BUTTON HEAD, #8-32 X 5/8
9	-	2	BOLT, FLAT HEAD, 1/4-20 X 5/8

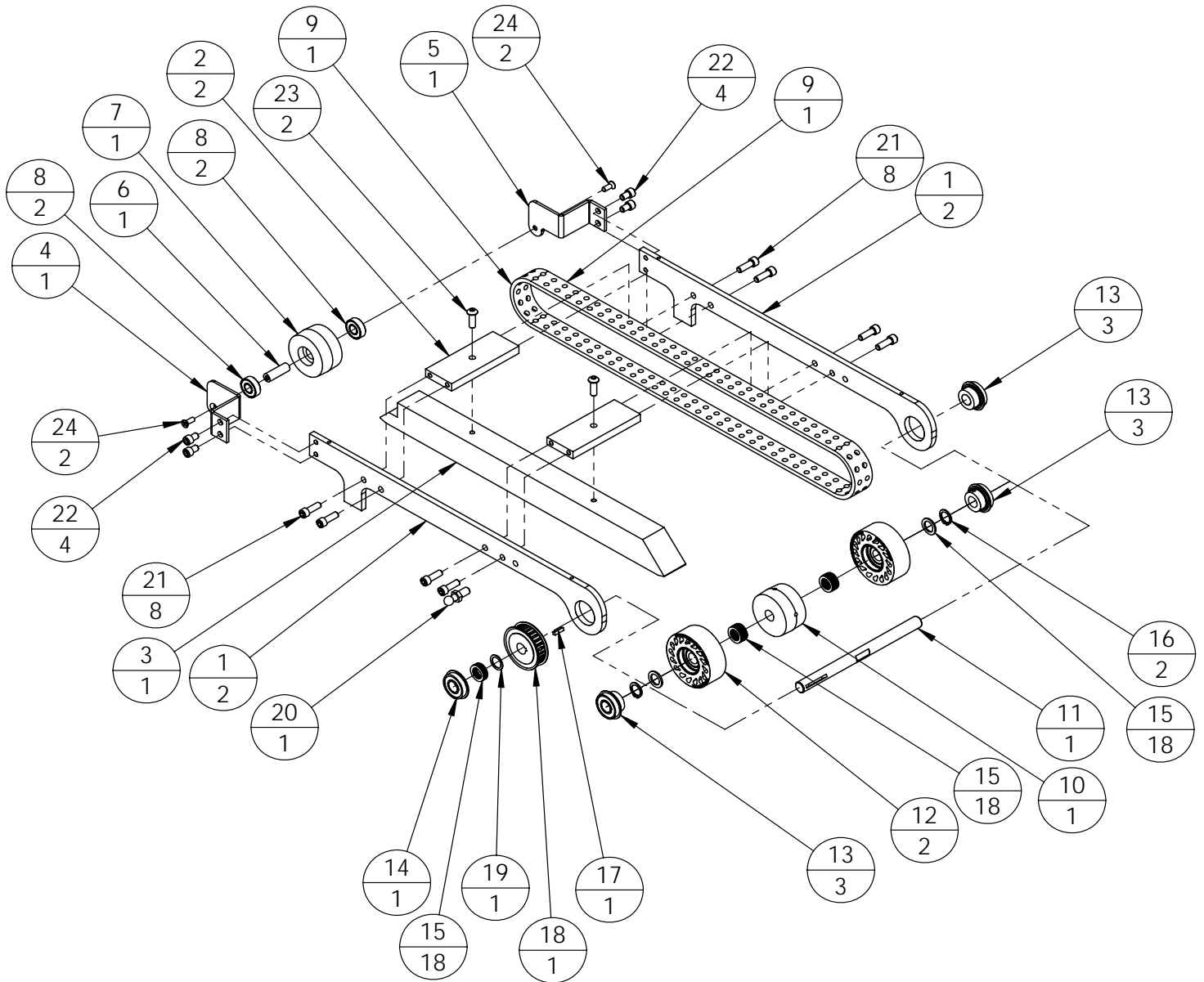
PITNEY BOWES
Sure-Feed Engineering



**ATTACHER – CARD FEEDER (Fig. 15)
OVERHEAD VACUUM CONVEYOR ASSEMBLY (14020-018)**

ITEM	PART NO.	QTY.	DESCRIPTION
1	10011-046	2	SIDEFAME, INNER
2	10008-080	2	BAR, INNER SIDEFAME SUPPORT
3	10007-090	1	MANIFOLD, OVERHEAD VACUUM
4	10009-052	1	BRACKET, RH IDLER
5	10009-054	1	BRACKET, LH IDLER
6	10004-145	1	SHAFT, IDLER ROLLER
7	10006-088	1	PULLEY, CROWNED IDLER
8	99003-008	2	BEARING, 3/8 X 7/8 SEALED
9	14014-001	1	BELT, VACUUM, CREDIT CARD
10	10006-087	1	PULLEY, CROWNED DRIVE
11	10004-153	1	SHAFT, DRIVE
12	99019-004	2	ROLLER, DUROSOFT, 2-1/2"
13	99003-093	3	BEARING, 1/2 X 1/-1/8 SEALED W/ COLLAR
14	99003-007	1	BEARING, 1/2 X 1/-1/8 SEALED W/ S.R.
15	99003-018	18	WASHER, NYLON, 1/2 X 1/16
16	99022-004	2	SNAP RING, 1/2
17	99034-003	1	KEY, SQUARE, 1/8 X 3/4
18	99002-060	1	PULLEY, TIMING, 28XL037, 1/2 BORE
19	99003-032	1	WASHER, NYLON, 1/2 X 1/32
20	99014-009	1	BALL STUD, 10MM BALL
21	-	8	BOLT, SKT HEAD, 1/4-20 X 3/4
22	-	4	BOLT, SKT HEAD, 1/4-20 X 3/8
23	-	2	BOLT, BUTTON HEAD, 1/4-20 X 3/4
24	-	2	SCREW, FLAT HEAD, #10-24 X 1/2

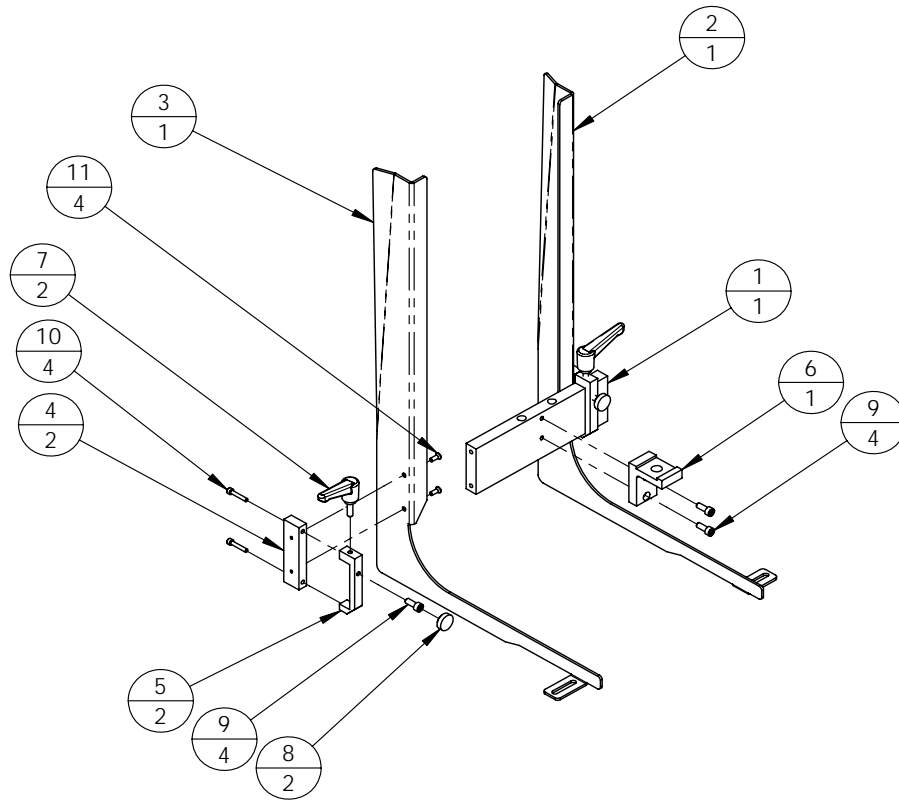
PITNEY BOWES
Sure-Feed Engineering



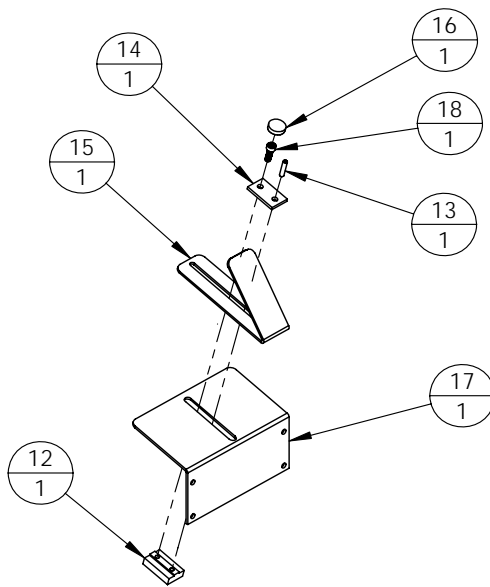
**ATTACHER – CARD FEEDER (Fig. 16)
 SIDE GUIDE / PAPER SLIDE ASSEMBLIES**

ITEM	PART NO.	QTY.	DESCRIPTION
	14020-009	1	ASSEMBLY, SIDE GUIDE
1	10003-017	1	CROSSBAR, CARD FEEDER
2	10005-127	1	GUIDE, LH SIDE
3	10005-126	1	GUIDE, RH SIDE
4	10007-100	2	BLOCK, SIDE GUIDE MTG.
5	10009-002	2	BRACKET, SIDE GUIDE MTG.
6	10007-010	1	BLOCK, SEPARATOR ADJ.
7	99004-003	2	HANDLE, RATCHET, #10-24 X 1/2
8	99004-002	2	KNOB, #10 SCREW
9	-	4	SCREW, SKT HEAD, #10-24 X 1/2
10	-	4	SCREW, SKT HEAD, #6-32 X 3/4
11	-	4	SCREW, FLAT HEAD, #6-32 X 3/8
	14020-017	1	ASSEMBLY, PAPER SLIDE
12	10007-003	1	NUT, PAPER SLIDE
13	99006-020	1	PIN, ROLL, 5/32 X 3/4
14	10007-004	1	WASHER, PAPER SLIDE
15	10005-089	1	GUIDE, REAR WEDGE, 1-1/4
16	99004-002	1	KNOB, #10 SCREW
17	10009-051	1	BRACKET, PAPER SLIDE
18	-	1	SCREW, SKT HEAD, #10-24 X 5/8

PITNEY BOWES
Sure-Feed Engineering



ASSY# 14020-009

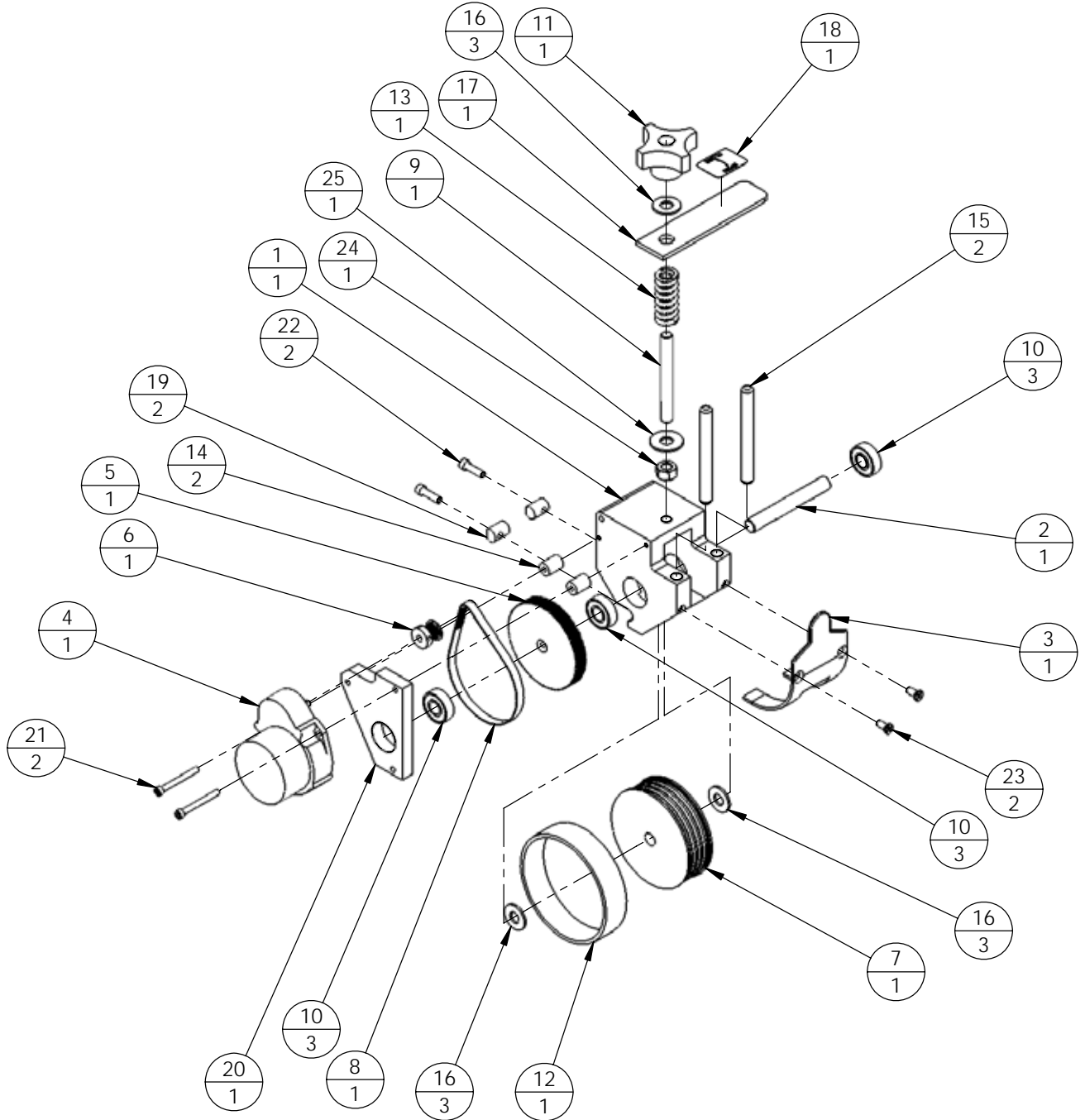


ASSY# 14020-017

**ATTACHER – CARD FEEDER (Fig. 17)
 SINGLE SEPARATOR ASSEMBLY (10020-266)**

ITEM	PART NO.	QTY.	DESCRIPTION
1	10007-099	1	BLOCK, SEPARATOR
2	10004-176	1	SHAFT, SEPARATOR
3	10005-138	1	SHROUD, SEPARATOR
4	99001-018	1	MOTOR, SEPARATOR, 1/3 RPM, 24VDC
5	99002-001	1	PULLEY, TIMING, 100 MXL025, 3/8 BORE
6	99002-002	1	PULLEY, TIMING, 16 MXL025, 3/16 BORE
7	10006-001	1	WHEEL, SEPARATOR, 3"
8	99000-006	1	BELT, TIMING, 115 MXL025
9	10004-028	1	STUD, SEPARATOR ADJ.
10	99003-001	3	BEARING, 3/8 X 7/8 SHEILDDED
11	99004-001	1	KNOB, 5/16-24 FEMALE
12	10014-001	1	BELT, SEPARATOR
13	99005-045	1	SPRING, SEPARATOR
14	10012-028	2	STANDOFF, SEPARATOR
15	99006-002	2	PIN, DOWEL, 5/16 X 3
16	99003-015	3	WASHER, NYLON, 5/16 X 1/16
17	10008-024	1	BAR, SEPARATOR RELEASE
18	18017-008	1	LABEL, FEEDER SEPARATOR ADJ.
19	10004-177	2	SHAFT, TONGUE SUPPORT
20	10011-001	1	PLATE, SEPARATOR MOTOR MTG.
21	-	2	SCREW, SKT HEAD, #6-32 X 1-3/8
22	-	2	SCREW, SKT HEAD, #8-32 X 5/8
23	-	2	SCREW, FLAT HEAD, #8-32 X 3/8
24	-	1	NUT, HEX, 5/16-24
25	-	1	FLAT WASHER, 5/16

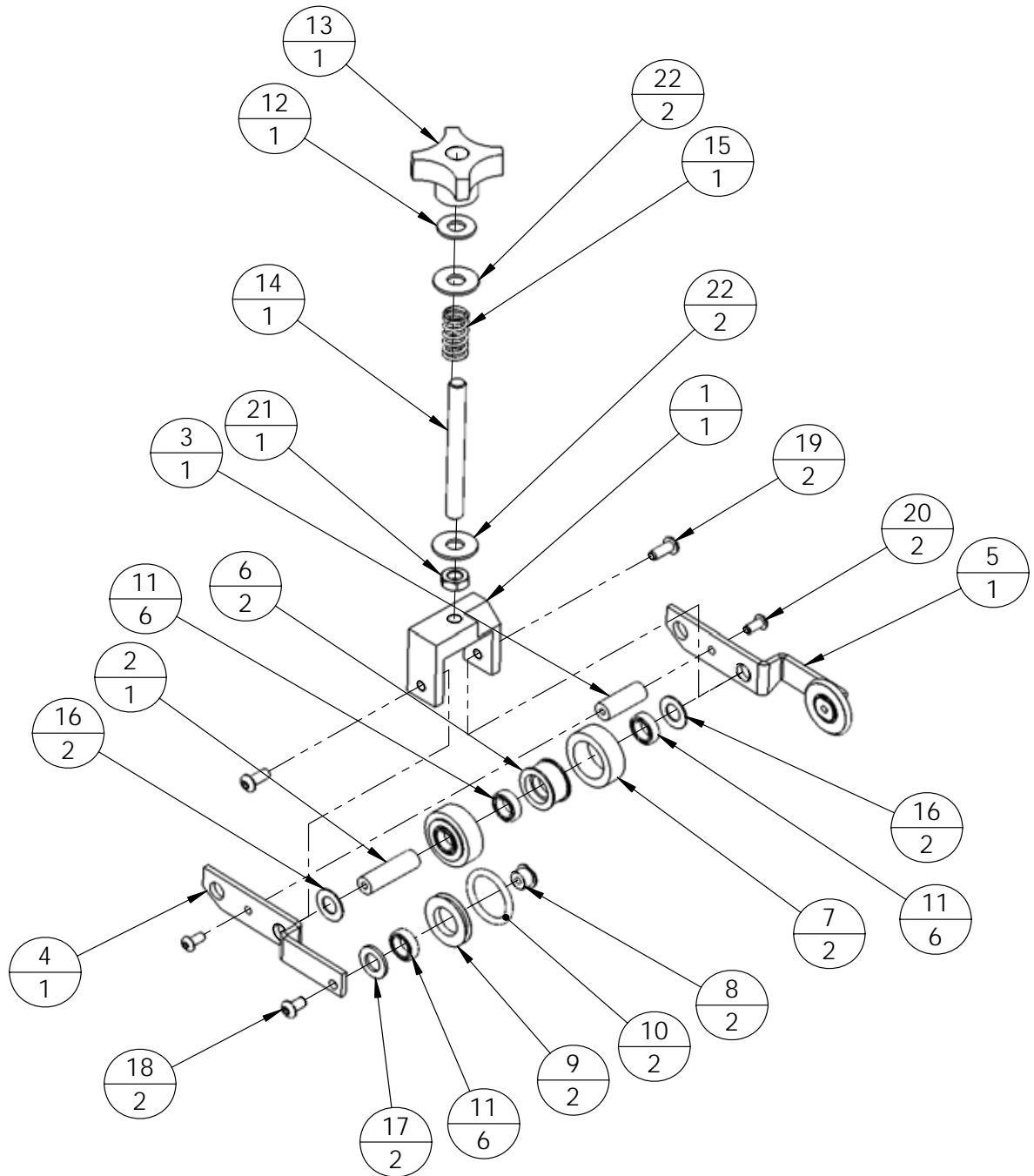
PITNEY BOWES
Sure-Feed Engineering



**ATTACHER – CARD FEEDER (Fig. 18)
 TRAILING ARM ASSEMBLY (14020-011)**

ITEM	PART NO.	QTY.	DESCRIPTION
1	10007-092	1	BLOCK, ROLLER ADJ.
2	10004-152	1	SHAFT, IDLER ROLLER
3	10012-003	1	SPACER, TONGUE
4	10009-053	1	BRACKET, TONGUE, RH
5	10009-055	1	BRACKET, TONGUE, LH
6	10006-089	2	ROLLER HUB, W/ FLANGES
7	10006-093	2	ROLLER COVER, 1.19 O.D.
8	10004-144	2	SHAFT, STUB ROLLER MTG.
9	10006-103	2	PULLEY, O-RING
10	99039-168	2	O-RING, 1/8 X 7/8 X 1-1/8
11	99003-079	6	BEARING, 3/8 X 5/8 X 5/32
12	99003-015	1	WASHER, NYLON, 5/16 X 1/16
13	99004-001	1	KNOB, 5/16-24 FEMALE
14	10004-055	1	STUD, TRAILING ARM ADJ (5/16-24)
15	99005-055	1	SPRING, COMPRESSION, .480 X .055 X 1
16	99003-016	2	WASHER, NYLON, 3/8 X 1/32
17	99003-017	2	WASHER, NYLON, 3/8 X 1/16
18	-	2	SCREW, BUTTON HEAD, #10-24 X 3/8
19	-	2	SCREW, BUTTON HEAD, #10-24 X 1/2
20	-	2	SCREW, BUTTON HEAD, #8-32 X 3/8
21	-	1	NUT, HEX, 5/16-24
22	-	2	FLAT WASHER, 5/16

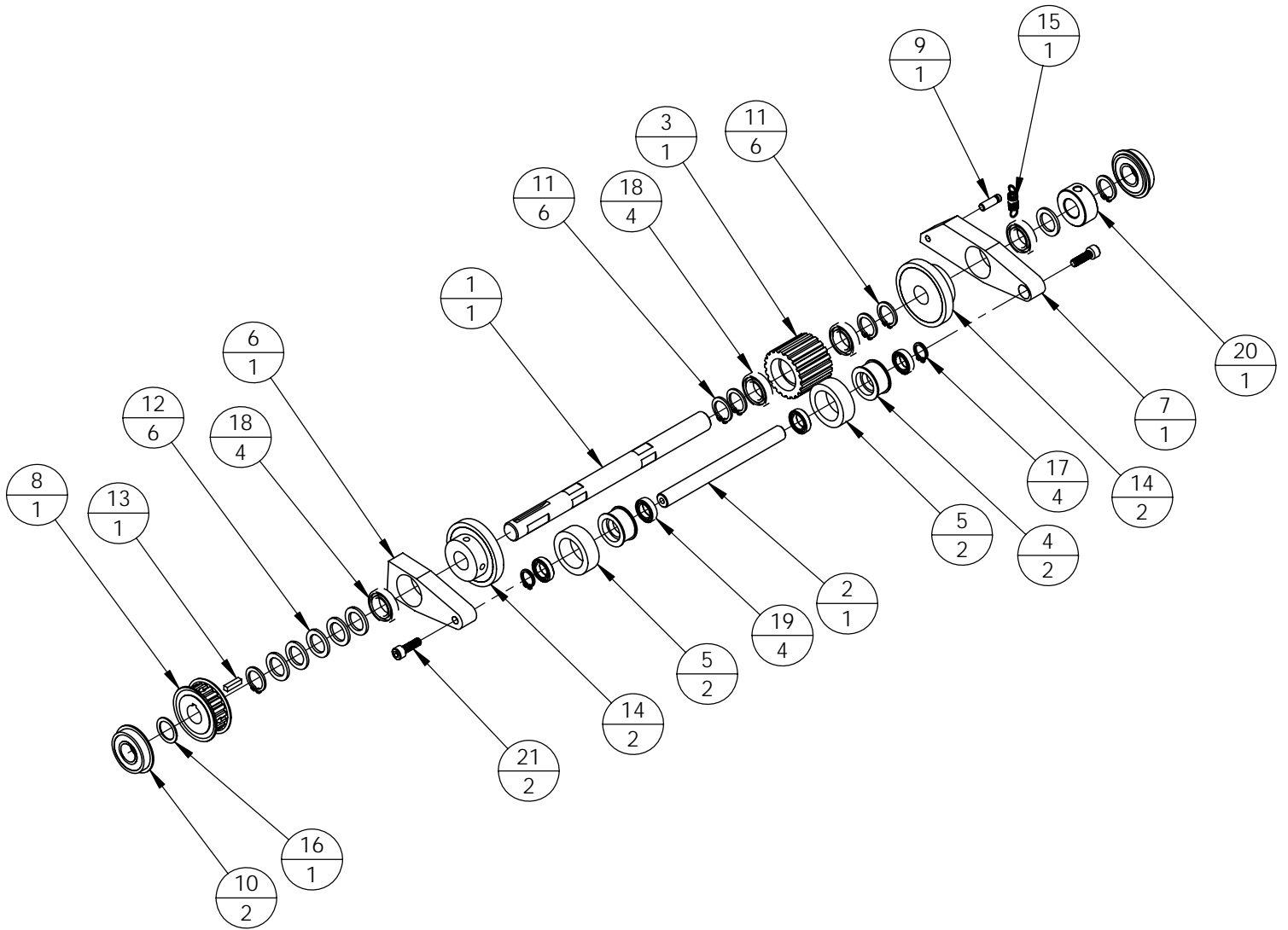
PITNEY BOWES
Sure-Feed Engineering



**ATTACHER – CARD FEEDER (Fig. 19)
 NIP SHAFT ASSEMBLY (14020-012)**

ITEM	PART NO.	QTY.	DESCRIPTION
1	10004-149	1	SHAFT, NIP ROLLER
2	10004-151	1	SHAFT, IDLER ROLLER
3	10006-085	1	PULLEY, IDLER, 21XL087, 7/8 BORE
4	10006-089	2	ROLLER HUB W/ FLANGES
5	10006-093	2	ROLLER COVER, 1.19 O.D.
6	10007-088	1	BLOCK, VACUUM NIP, RH
7	10007-089	1	BLOCK, VACUUM NIP, LH
8	99002-054	1	PULLEY, TIMING, 20XL037, 1/2 B W/ 1/8 KEYWAY
9	99006-038	1	PIN, GROOVED SPRING CLIP, #10-32 X 5/8
10	99003-007	2	BEARING, 1/2 X 1-1/8 SEALED W/ S.R.
11	99022-004	6	SNAP RING, 1/2
12	99003-018	6	WASHER, NYLON, 1/2 X 1/16
13	99034-003	1	KEY, SQUARE, 1/8 X 3/4
14	10006-091	2	ROLLER, NIP
15	99005-012	1	SPRING, GRIPPER JAW
16	99003-032	1	WASHER, NYLON, 1/2 X 1/32
17	99022-003	4	SNAP RING, 3/8
18	99003-046	4	BEARING, 1/2 X 7/8
19	99003-079	4	BEARING, 3/8 X 5/8 X 5/32
20	99017-004	1	COLLAR, 1/2"
21	-	2	SCREW, SKT HEAD, #10-24 X 5/8

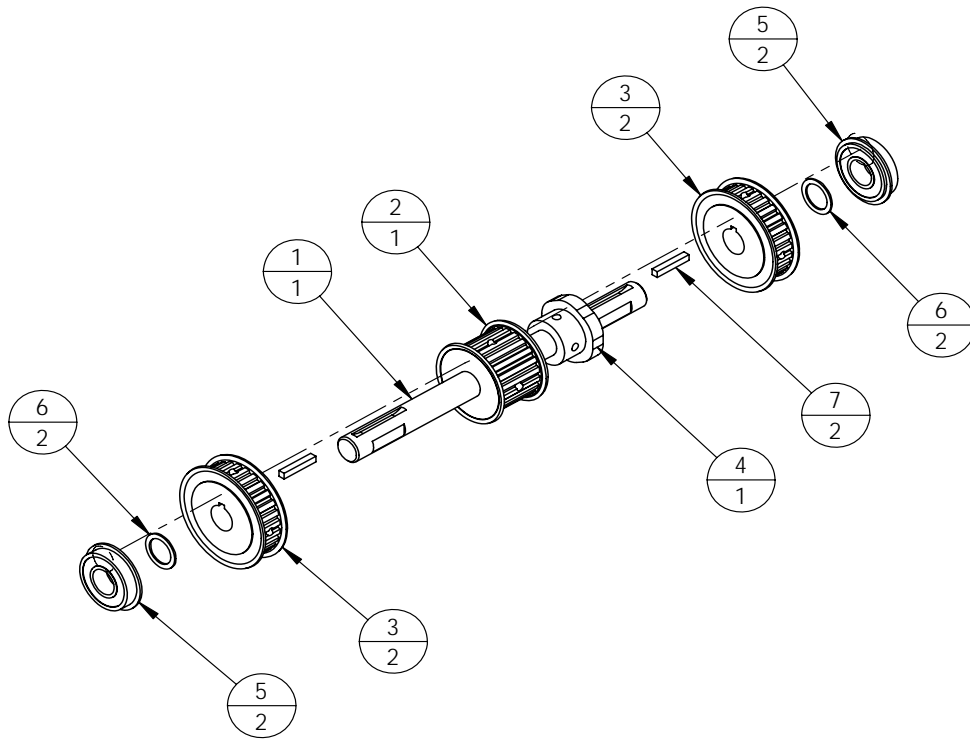
PITNEY BOWES
Sure-Feed Engineering



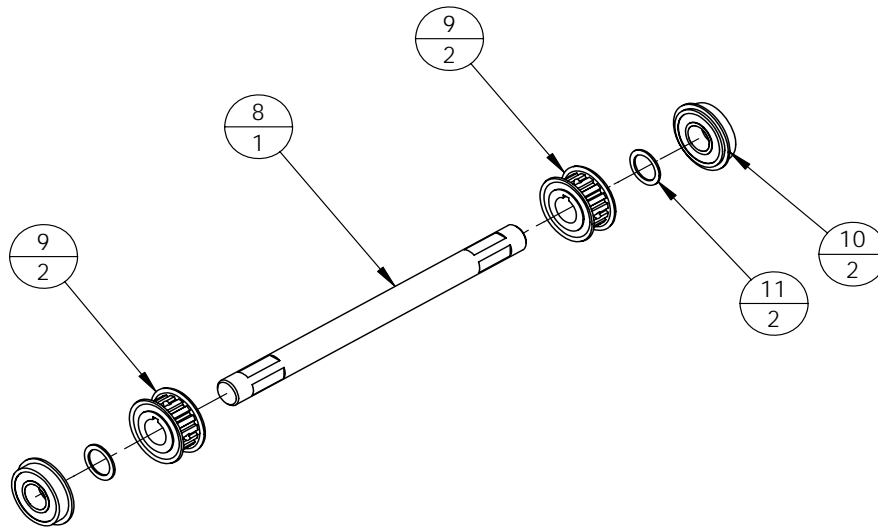
**ATTACHER – CARD FEEDER (Fig. 20)
 DRIVE SHAFT ASSEMBLIES**

ITEM	PART NO.	QTY.	DESCRIPTION
	14020-016	1	ASSEMBLY, DRIVE SHAFT
1	10004-146	1	SHAFT, MAIN DRIVE
2	10006-084	1	PULLEY, DRIVE, 21XL087, 1/2 BORE
3	99002-060	2	PULLEY, TIMING, 28XL037, 1/2 BORE
4	14016-001	1	CAM VIBRATOR
5	99003-007	2	BEARING, 1/2 X 1-1/8 SEALED W/ S.R.
6	99003-032	2	WASHER, NYLON, 1/2 X 1/32
7	99034-003	2	KEY, SQUARE, 1/8 X 3/4
	14020-013	1	ASSEMBLY, INTERMEDIATE DRIVE SHAFT
8	10004-147	1	SHAFT, INTERMEDIATE DRIVE
9	99002-032	2	PULLEY, TIMING, 16XL037, 1/2 BORE
10	99003-007	2	BEARING, 1/2 X 1-1/8 SEALED W/ S.R.
11	99003-032	2	WASHER, NYLON, 1/2 X 1/32

PITNEY BOWES
Sure-Feed Engineering



ASSY# 14020-016

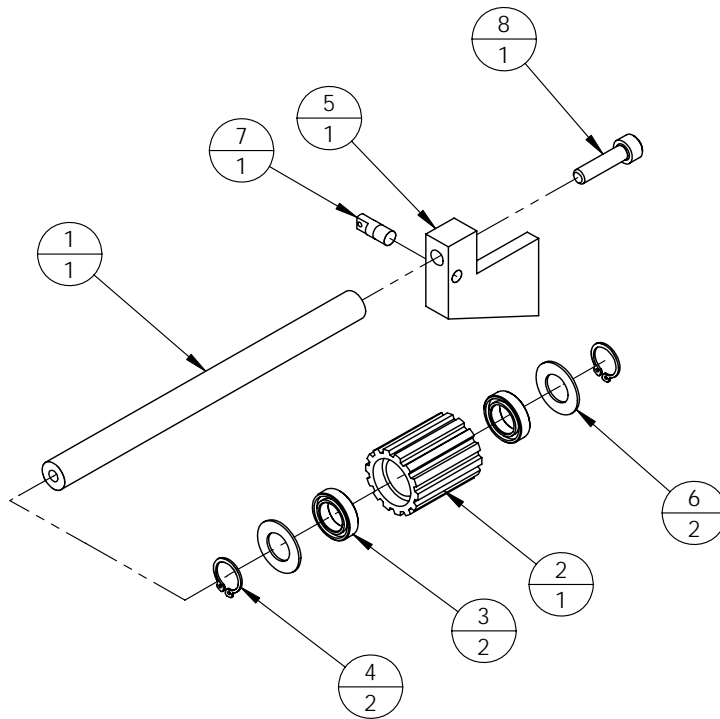


ASSY# 14020-013

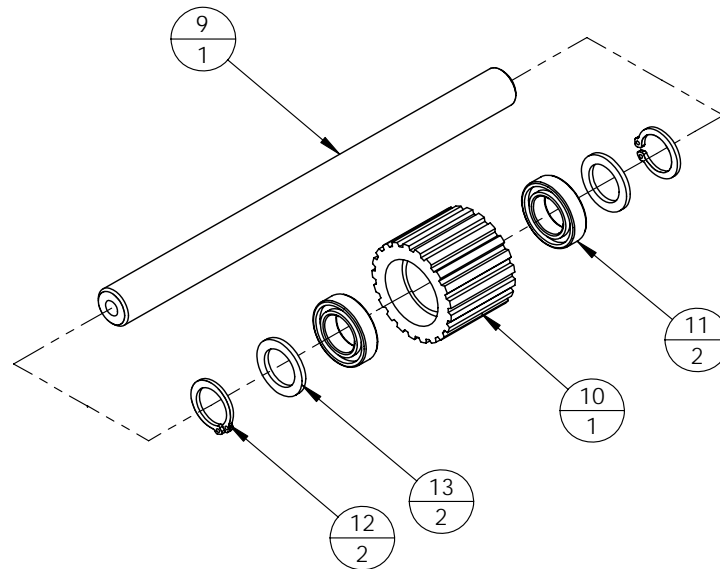
**ATTACHER – CARD FEEDER (Fig. 21)
 IDLER SUPPORT / NIP IDLER ASSEMBLIES**

ITEM	PART NO.	QTY.	DESCRIPTION
	14020-015	1	ASSEMBLY, IDLER SUPPORT
1	10004-150	1	SHAFT, IDLER SUPPORT
2	10006-086	1	PULLEY, IDLER, 14XL087, 5/8 BORE
3	99003-079	2	BEARING, 3/8 X 5/8 X 5/32
4	99022-003	2	SNAP RING, 3/8
5	14007-025	1	BLOCK, SPACER
6	99003-016	2	WASHER, NYLON, 3/8 X 1/32
7	99006-016	1	PIN, SPRING, #10-32 X 3/8
8	-	1	SCREW, SKT HEAD, #10-24 X 3/4
	14020-014	1	ASSEMBLY, NIP IDLER
9	10004-148	1	SHAFT, NIP IDLER
10	10006-085	1	PULLEY, IDLER, 21XL087, 7/8 BORE
11	99003-046	2	BEARING, 1/2 X 7/8
12	99022-004	2	SNAP RING, 1/2
13	99003-018	2	WASHER, NYLON, 1/2 X 1/16

PITNEY BOWES
Sure-Feed Engineering



ASSY# 14020-015

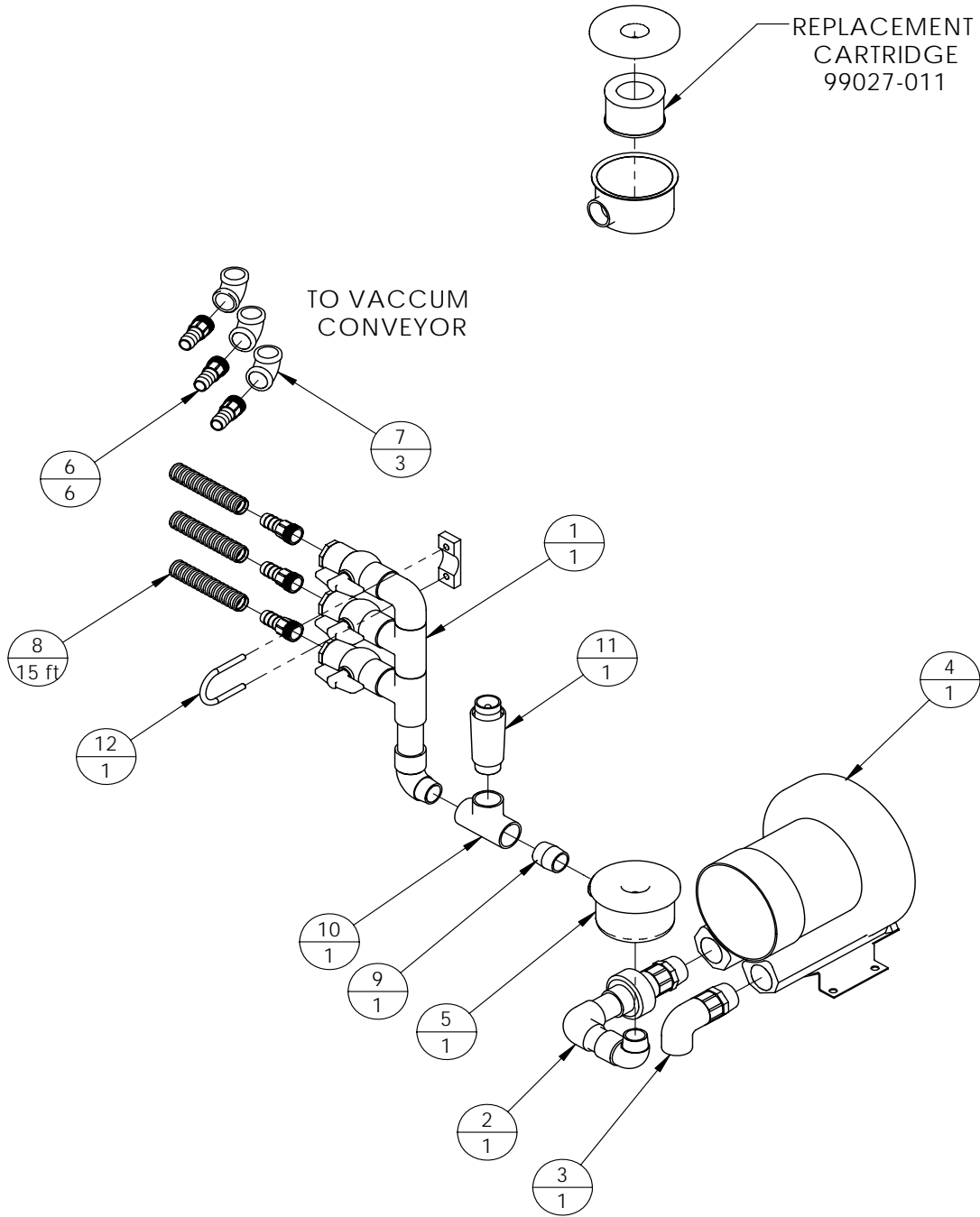


ASSY# 14020-014

**ATTACHER (Fig. 22)
 CONVEYOR VACUUM ASSEMBLY (14020-021)**

ITEM	PART NO.	QTY.	DESCRIPTION
1	14020-074	1	ASSEMBLY, PVC VALVE
2	14020-075	1	ASSEMBLY, INTAKE, PVC
3	14020-076	1	ASSEMBLY, EXHAUST, PVC
4	99029-015	1	BLOWER
5	99027-010	1	FILTER, INLINE
6	99028-165	6	HOSE BARB, 1" NPT X 1" HOSE
7	99028-142	3	ELBOW, BRASS, 1" NPT
8	99031-016	15 ft	HOSE, 1" ID
9	99028-162	1	NIPPLE, 1-1/4" CLOSE
10	99028-163	1	TEE, 1-1/4" NPT
11	99025-040	1	VALVE, VACUUM RELIEF
12	99024-006	1	U-BOLT, 2-1/16 O.D. W/ SADDLE

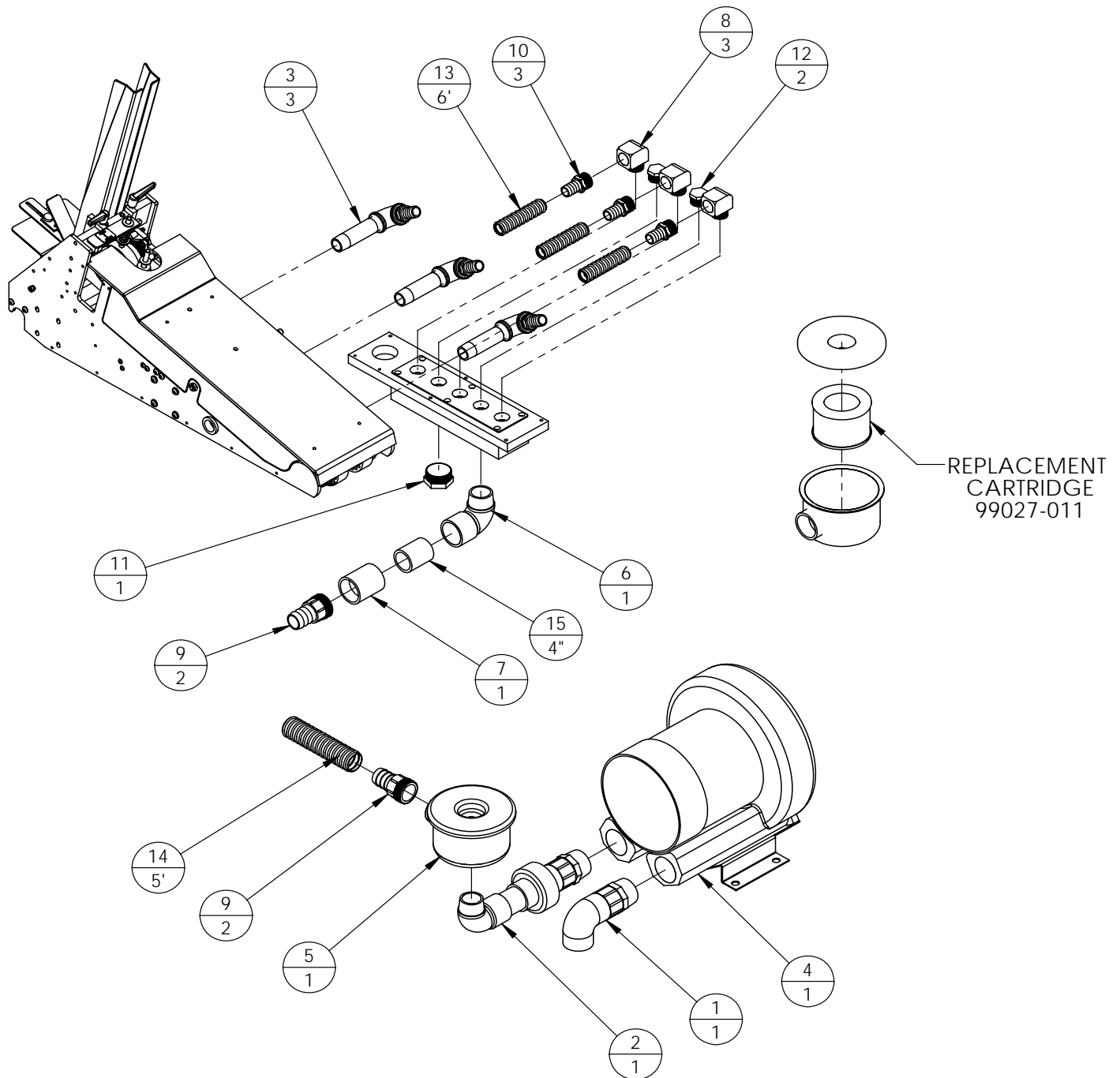
PITNEY BOWES
Sure-Feed Engineering



**ATTACHER (Fig. 23)
 CARD FEEDER VACUUM ASSEMBLY (14020-022)**

ITEM	PART NO.	QTY.	DESCRIPTION
1	14020-076	1	ASSEMBLY, EHAUST, PVC
2	14020-077	1	ASSEMBLY, INTAKE, PVC
3	14020-068	3	ASSEMBLY, HOSE BARB
4	99029-015	1	BLOWER
5	99027-010	1	FILTER, INLINE
6	99028-116	1	ELBOW, PVC, 1-1/4 NPT X 1-1/4 SLIP
7	99028-167	1	ADAPTER, PVC, 1-1/4 SLIP X 1-1/4 F-NPT
8	99028-115	3	ELBOW, BRASS STREET, 90 DEG, 3/4 NPT
9	99028-166	2	FITTING, HOSE BARB, 1-1/4 NPT X 1-1/4 HOSE
10	99028-114	3	FITTING, HOSE BARB, 3/4 NPT X 3/4 HOSE
11	99028-183	1	PLUG, HEX, 1-1/4 NPT
12	99028-059	2	PLUG, HEX, 3/4 NPT
13	99031-015	5'	HOSE, 3/4" ID
14	99031-017	6'	HOSE, 1-1/4" ID
15	99028-111	4"	PIPE, PVC, 1-1/4"

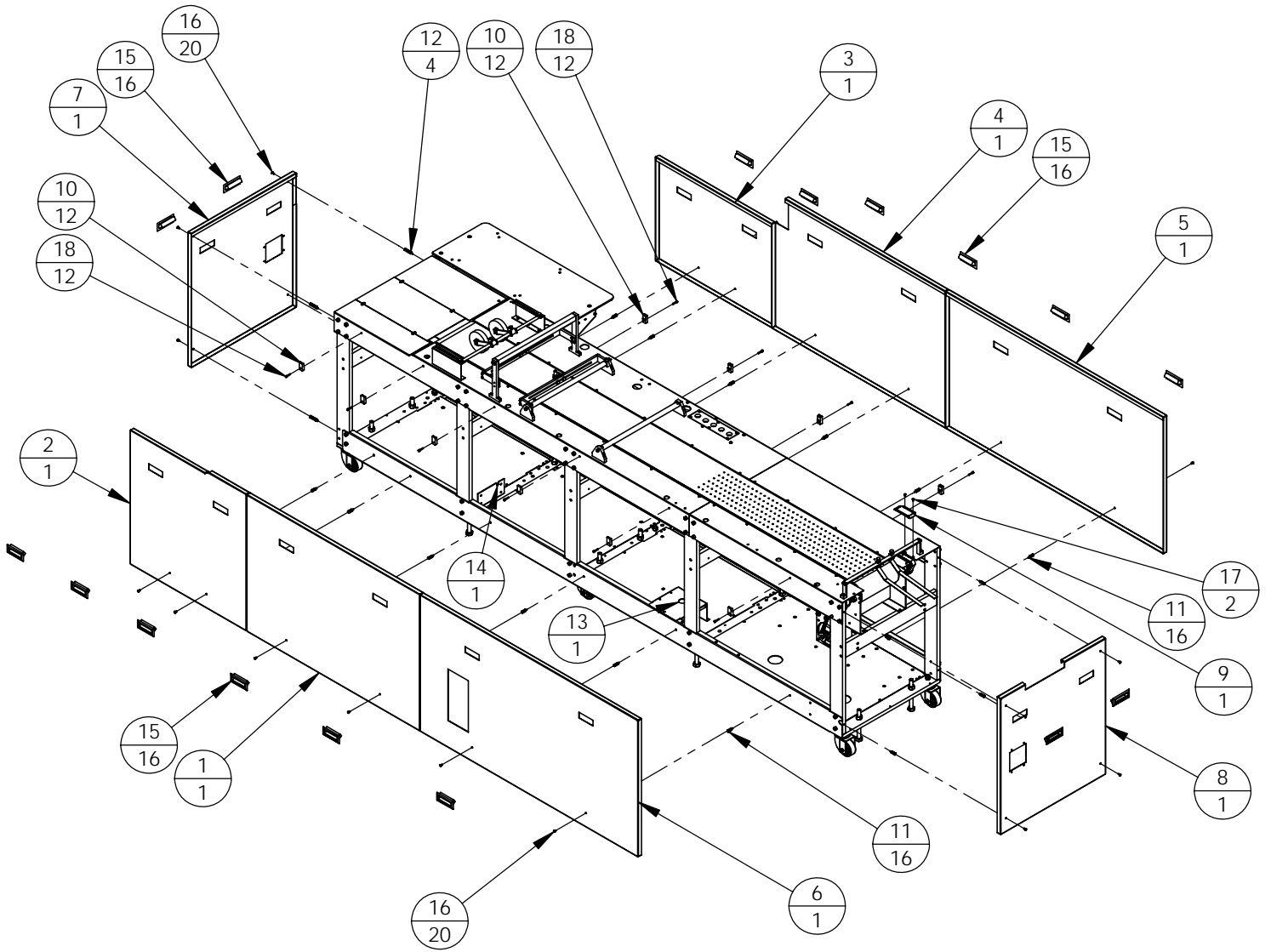
PITNEY BOWES
Sure-Feed Engineering



**ATTACHER (Fig. 24)
 LOWER COVERS ASSEMBLY (14020-040)**

ITEM	PART NO.	QTY.	DESCRIPTION
1	18013-044	1	COVER, LOWER SIDE, RH
2	14013-032	1	COVER, LOWER SIDE, RH REAR
3	14013-033	1	COVER, LOWER SIDE, LH REAR
4	14013-035	1	COVER, LOWER SIDE, LH
5	18013-038	1	COVER, LOWER SIDE, LH FRONT
6	18013-110	1	COVER, LOWER SIDE, RH FRONT
7	14013-034	1	COVER, REAR
8	14013-008	1	COVER, FRONT
9	14013-009	1	COVER, PULLEY
10	18007-042	12	BLOCK, SIDE GUIDE MTG.
11	99039-079	16	STANDOFF, M/F HEX, #10-32
12	99039-106	4	STANDOFF, M/F HEX, #10-32 X 1-1/2
13	18009-044	1	BRACKET, POWER ENTRY MODULE MTG.
14	18009-045	1	BRACKET, INVERTER ENCLOSURE MTG.
15	99012-002	16	HANDLE, POCKET PULL
16	-	20	SCREW, BUTTON HEAD, #10-32 X 3/8
17	-	2	SCREW, FLAT HEAD, #8-32 X 3/8
18	-	12	SCREW, SKT HEAD, #10-24 X 7/8

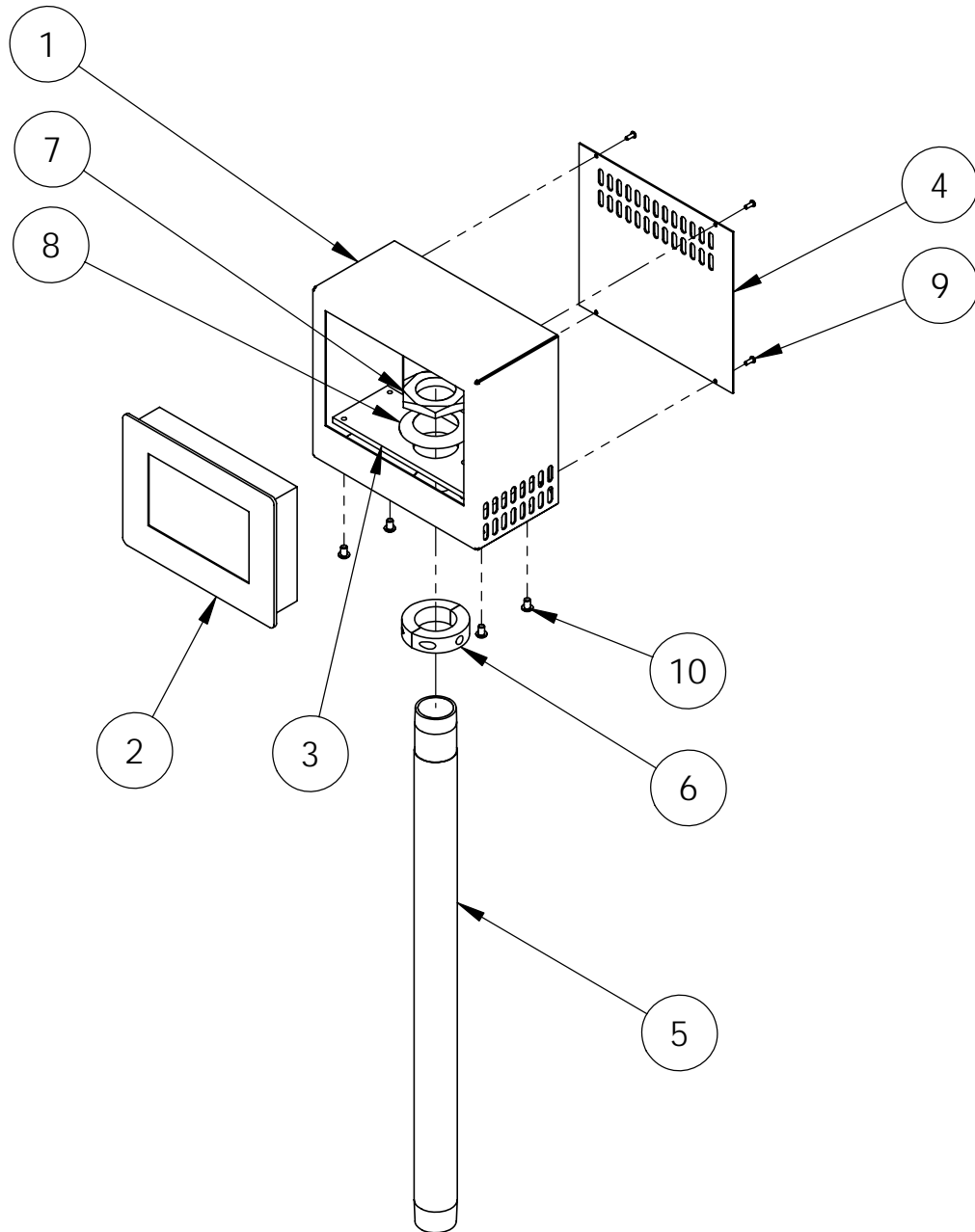
PITNEY BOWES
Sure-Feed Engineering



**ATTACHER (Fig. 25)
 TOUCH SCREEN ASSEMBLY (14020-024)**

ITEM	PART NO.	QTY.	DESCRIPTION
1	14013-010	1	ENCLOSURE, TOUCHSCREEN
2	98024-012	1	TOUCHSCREEN, COLOR
3	14011-015	1	PLATE, STIFFENER
4	14011-016	1	BACKPLATE, TOUCHSCREEN
5	14019-004	1	POST, TOUCHSCREEN SUPPORT
6	18019-001	1	COLLAR, 2-PC CLAMP, 1-5/8"
7	18019-002	1	NUT, TOUCHSCREEN ENCLOSURE MTG.
8	99005-014	1	WASHER, SPRING, 45.5 MM
9	-	4	SCREW, BUTTON HEAD, #6-32 X 3/8
10	-	4	BOLT, BUTTON HEAD, 1/4-20 X 3/8

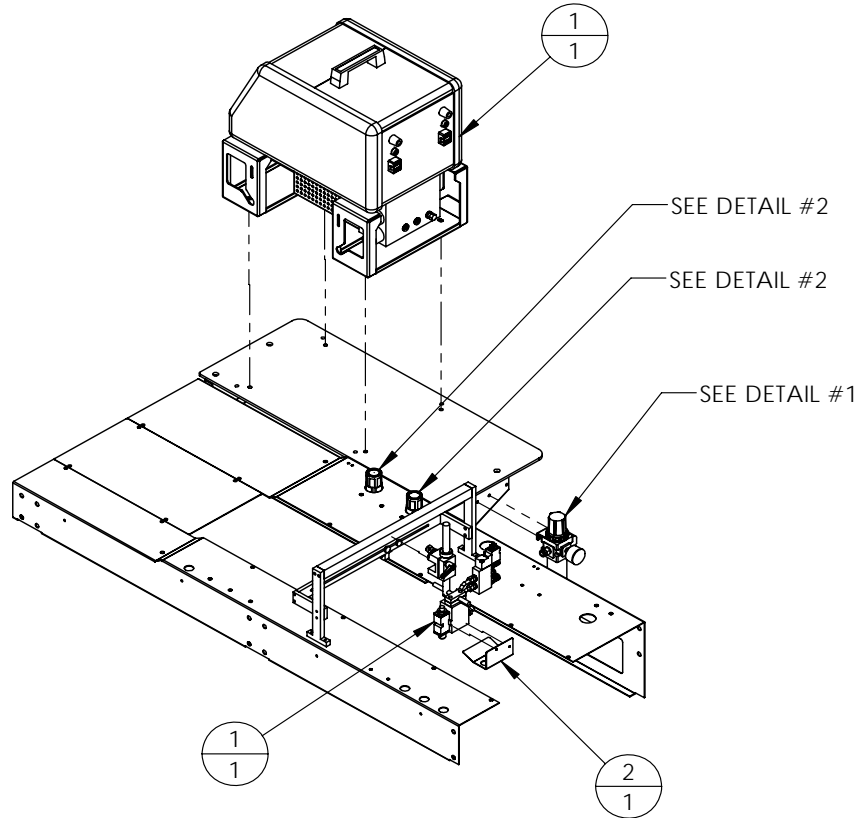
PITNEY BOWES
Sure-Feed Engineering



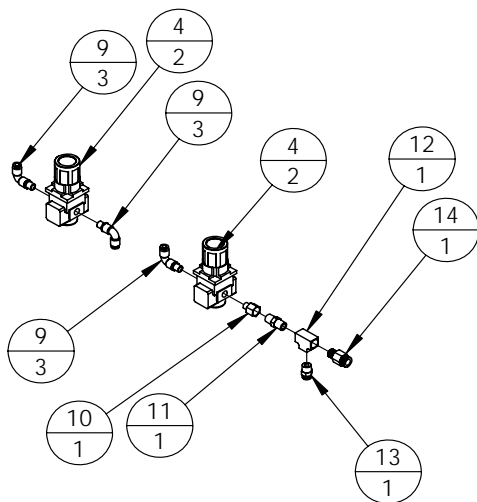
**ATTACHER (Fig. 26)
 GLUE SYSTEM ASSEMBLY (14020-045)**

ITEM	PART NO.	QTY.	DESCRIPTION
1	99043-001	1	GLUE SYSTEM, NORDSON
2	14005-015	1	SHROUD, GLUE HEAD
3	99026-008	1	REGULATOR, FILTER
4	99026-023	2	REGULATOR, PANEL MTG, 0-160
5	99026-022	1	BRACKET, REGULATOR
6	99028-018	1	FITTING, MALE CONNECTOR, 3/8 TUBE
7	99028-004	1	ELBOW, BRASS STREET, 90 DEG, 3/8 NPT
8	99028-001	1	COUPLING, QUICK DISCONNECT, 1/4 X 3/8 NPT MALE
9	99028-074	3	FITTING, ELBOW, 1/8 NPT X 1/4 TUBE
10	99028-118	1	ADAPTOR, 1/8 M-NPT X 1/4 F-NPT
11	99028-012	1	NIPPLE, CLOSE
12	99028-187	1	FITTING, BRASS TEE, 1/4 NPT
13	99028-082	1	FITTING, MALE CONNECTOR, 1/4 NPT X 1/4 TUBE
14	99028-017	1	FITTING, MALE CONNECTOR, 1/4 NPT X 3/8 TUBE
15	99031-001	15'	TUBING, POLY FLOW BLACK, 1/4 OD (NOT SHOWN)
16	99031-002	5'	TUBING, POLY FLOW BLACK, 3/8 OD (NOT SHOWN)

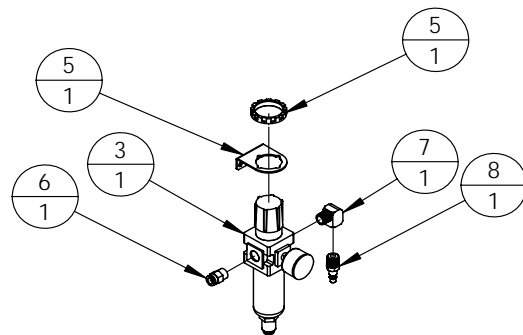
PITNEY BOWES
Sure-Feed Engineering



DETAIL #2



DETAIL #1



**ATTACHER (Fig. 27)
 ELECTRICAL ASSEMBLIES 14021-013**

ITEM	PART NO.	QTY.	DESCRIPTION
22	98010-097	2	BANNER CABLE NQDC406
23	98010-085	30FT	SHIELDED CABLE, 18/4
24	98025-007	1	HMI TOUCH SCREEN CABLE
25	98003-008	1	PLUG, HBL, 3 PIN MALE
26	98010-010	10 FT	WIRE, 16/3, SJOOW, BLACK
	14021-012	1	ASSEMBLY, POWER ENTRY ENCLOSURE
1	18013-076	1	ENCLOSURE, POWER ENTRY MODULE
2	18013-094	1	COVER, POWER ENTRY MODULE
3	18009-038	1	BRACKET, DIN RAIL
4	18009-039	1	BRACKET, POWER SWITCH
5	18013-074	2	GUARD, CB SWITCH
6	18013-075	1	SCREEN, MESH AIR VENT
7	98015-018	3	WIRE CLAMP, 3/4"
8	98015-004	3	LOCKNUT, 3/4"
9	98004-040	1	CIRCUIT BREAKER, 20 AMP, 2 POLE
10	98001-028	6	TERMINAL, SINGLE 50 A
11	98001-037	2	STRIP, END CLAMP
12	98001-022	1 FT	DIN RAIL
13	98022-002	1	LAMP, POWER INDICATOR
14	98001-029	2	3 POLE JUMPER
15	18021-028	1	GROUND STRAP ASSEMBLY
16	18021-005	1	POWER ENTRY CORD
17	18021-014	2	POWER ENTRY HARNESS ASSEMBLY
18	18021-004	1	LAMP HARNESS ASSEMBLY
19	18021-103	1	SERVO ENCLOSURE POWER CORD ASSEMBLY
20	18021-104	1	AIR LEG POWER CORD ASSEMBLY
21	98020-096	1	FILTER-RFI, 250V, 25A
27	14021-015	2	FEEDMAX PLATE ASSEMBLY
	16011-142	1 EA	PLUG MOUNTING PLATE
	98016-154	2 EA	FEMALE, 1-16 HC-A-16-EBUS
	98016-156	2 EA	FEMALE 17-32 HC-A-16-EBUS-32
	98016-158	1 EA	HOOD HC-D-50-AMQ
	14021-004/018	1	START/STOP COVER ASSEMBLIES (FIG 28)

**ATTACHER (Fig. 28)
 START/STOP COVER ASSEMBLIES 14021-004**

ITEM	PART NO.	QTY.	DESCRIPTION
	14021-004	1	ASSEMBLY, START/STOP COVER, FRONT
1	14001-007	1	COVER, TOP, RH SHORT
3	98000-032	1	SWITCH, PB MOM, BLUE ROUND
4	98000-035	1	SWITCH, PB , BLACK
6	98000-016	1	SWITCH, PUSH-PULL STOP W/STOP
7	98000-038	1	CONTACT BLOCK, N.C. (GOLD)
8	98000-028	1	CONTACT BLOCK, 1XNO, PROTECTED
9	98000-037	1	CLIP, SWITCH (STOP BUTTON)
10	98000-027	1	CLIP, SWITCH, ROUND
12	98016-016	1	RECEPTACLE, FREE HANGING, AMP
13	98016-114	5	CONTACT, PIN, 26-24 AWG

START/STOP COVER ASSEMBLIES 14021-018

ITEM	PART NO.	QTY.	DESCRIPTION
	14021-018	1	ASSEMBLY, START/STOP COVER, REAR
2	14001-015	1	COVER, TOP RH REAR
3	98000-032	1	SWITCH, PB MOM, BLUE ROUND
4	98000-035	1	SWITCH, PB , BLACK
5	98000-031	1	SWITCH, PB MOM, YELLOW ROUND
6	98000-016	1	SWITCH, PUSH-PULL STOP W/STOP
7	98000-038	2	CONTACT BLOCK, N.C. (GOLD)
8	98000-028	2	CONTACT BLOCK, 1XNO, PROTECTED
9	98000-037	2	CLIP, SWITCH (STOP BUTTON)
10	98000-027	2	CLIP, SWITCH, ROUND
11	98016-007	1	PLUG, AMP, SERIES 1, 13-9 STD
12	98016-016	1	RECEPTACLE, FREE HANGING, AMP
13	98016-114	8	CONTACT, PIN, 26-24 AWG
14	98016-117	5	CONTACT, SOCKET, 26-24 AWG

**ATTACHER (Fig. 29)
 PLC ATTACHER AT2/AT3 ASSEMBLIES 14021-009**

ITEM	PART NO.	QTY.	DESCRIPTION
	14021-009	1	ASSEMBLY, PLC ATTACHER
1	18013-188	1	ENCLOSURE, SERVO
2	18013-189	1	DOOR, SERVO ENCLOSURE
3	18013-190	1	BACKPLATE, SERVO ENCLOSURE
4	98012-008	8 FT	WIREWAY DUCT
5	98001-022	2 FT	DIN RAIL
6	98013-101	1	MOTION CONTROLLER W/ MLINK
7	98013-102	1	217IF-01, RS-232/485, PORTS JA
8	98013-103	1	16 PT I/O SINK OUT+PULSE, JA
9	98013-104	1	M-LINK II BUS COUPLER, 2884619
10	98013-105	2	2 CHANNEL ANALOG OUTPUT, 2863
11	98001-089	33	TERMINAL, DOUBLE LAYER
12	98001-093	2	TERMINAL, DOUBLE LAYER SHORTED
13	98001-061	2	SPRING GROUND TERMINAL
14	98001-062	3	GROUND TERMINAL
15	98013-107	1	MP2000 IO CABLE 1M, JEPMC-W2061
16	98013-106	2	MECHATROLINK CABLE, M2 W/CORE
17	98015-001	6	STRAIN RELIEF, 1/2"
18	98015-002	2	STRAIN RELIEF, 3/4"
19	98010-184	18 FT	CABLE, 18 G-25C 190
20	98010-009	10 FT	CABLE, 3C, 22/7
21	98001-073	3	BRIDGE, 2 POSITION
22	98001-076	4	BRIDGE, 5 POSITION
23	98001-088	5	END COVER, DOUBLE LAYER TERMINAL
24	98001-079	2	TERMINAL END PLATE
25	98016-165	1	CONNECTOR, 14 POSITION, MINI D
26	98016-166	1	BACKSHELL, 14 POSITION CONNECTOR
27	98010-096	1	COMPUTER CABLE, DB9
28	98016-155	1	MALE 1-16 HC-A-16-ESTS
29	98016-157	1	MALE 17-32 HC-A-16-ESTS-32
30	98016-160	1	CONNECTOR, HC-D50-TFQ

**ATTACHER (Fig. 30)
 DRIVE ENCLOSURE AT2 ASSEMBLIES 14021-010**

ITEM	PART NO.	QTY.	DESCRIPTION
	14021-010	1	ASSEMBLY, DRIVE ENCLOSURE
1	18013-188	1	ENCLOSURE, SERVO
2	18013-189	1	DOOR, SERVO ENCLOSURE
3	18013-190	1	BACKPLATE, SERVO ENCLOSURE
4	98012-008	8 FT	WIREWAY DUCT
5	98001-022	2 FT	DIN RAIL
6	98011-013	1	POWER SUPPLY, 5 AMP
7	98013-109	2	S3 AMP 200V 1 PH 400W W/M2, SGDS
8	98013-068	2	FR-S520E-0.75K-NA. INVERTER
9	98008-005	1	TRANSFORMER, 24VAC, MAGNATEK
10	98020-012	1	POWER RESISTOR, 15 Ω
11	98001-089	14	TERMINAL, DOUBLE LAYER
12	98001-093	2	TERMINAL, DOUBLE LAYER SHORTED
13	98001-061	8	SPRING GROUND TERMINAL
14	98020-036	1	CAPACITOR, 2200 μF
15	98020-087	1	CABINET FAN, 24VDC
16	98013-106	2	MECHATROLINK CABLE, M2 W/CORE
17	98015-001	4	STRAIN RELIEF, 1/2"
18	98015-002	5	STRAIN RELIEF, 3/4"
19	98010-184	3 FT	CABLE, 18 G-25C 190
20	98001-063	28	FUSE BLOCK
21	98004-063	2	FUSE BRIDGE, 20 POSITION
22	98001-064	1	SIDE COVER TERMINALBLOCK
23	98001-088	5	END COVER, DOUBLE LAYER TERMINAL
24	98003-070	4	PLUG
25	98003-072	4	PLUG
26	98016-231	1	CONNECTOR, 26 PIN, 517-10126-300
27	98016-232	1	BACKSHELL, 26 PIN CONNECTOR
28	98016-154	1	FEMALE 1-16 HC-A-16-EBUS
29	98016-156	1	FEMALE 17-32 HC-A-16-EBUS-32
30	98016-160	1	CONNECTOR, HC-D50-TFQ
31	98002-041	6	RELAY, SPDT, 24V AC/DC

PITNEY BOWES
Sure-Feed Engineering

32	98002-043	1	RELAY, DPDT, 30A, 24VDC
33	98002-006	1	RELAY, CONTROL, 24 VDC
34	98010-076	2	CABLE, SERVO MOTOR POWER, 3M
35	98010-077	2	CABLE, SERVO ENCODER, 3M
36	98013-108	1	MECHATROLINK TERMINATING CONNECTION
37	98003-075	1	PLUG, # UAD015FF
38	98005-007	2	DC MOTOR CONTROLLER
39	98004-006	14	FUSE 6A
40	98004-005	4	FUSE 10A
41	98004-047	1	FUSE 4A
42	98004-018	4	FUSE 3A
43	98004-023	4	FUSE 2A
44	98004-017	2	FUSE 1A